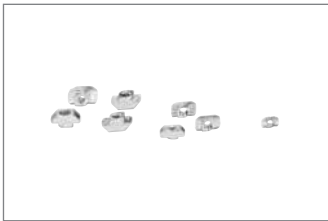


Connection elements



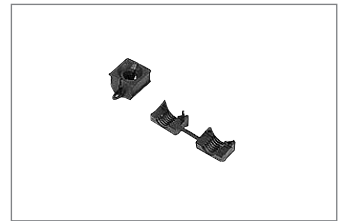
T-nut (p. 3-4)
Collar screw (p. 3-5)



Flange nut,
T-bolt (p. 3-6)



Sliding block (p. 3-7)



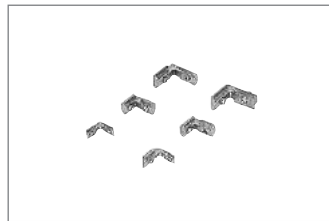
Straddling nut (p. 3-10)



Parallel connector (p. 3-11)



Tensioning
connector (p. 3-12)



Inner bracket (p. 3-13)
Inner bracket R (p. 3-14)



Miter bracket (p. 3-16)



Bracket (p. 3-17)



Bracket R (p. 3-29)



Steel bracket (p. 3-31)



Metal bracket,
supporting bracket
(p. 3-32)



Foundation bracket (p. 3-33)



Holder (p. 3-34)



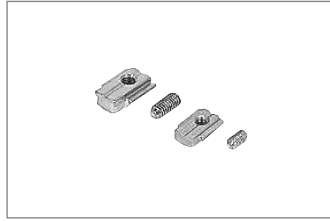
Supporting bracket (p. 3-36)



Profile connector (p. 3-38)



Central bolt (p. 3-40)



Anti-torsion element (p. 3-41)



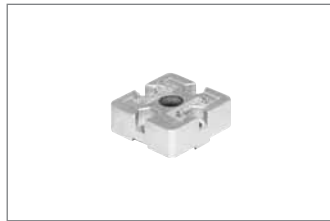
Cubic connector (p. 3-42)



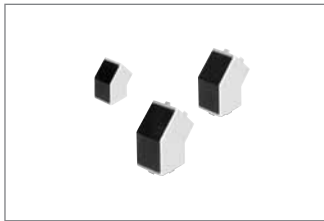
Corner bracket (p. 3-46)



End connector (p. 3-48)



T-connector (p. 3-50)



45° connector (p. 3-52)



Quick connector (p. 3-53)



Quick connector,
bendable (p. 3-56)



Longitudinal end connector
(p. 3-58)



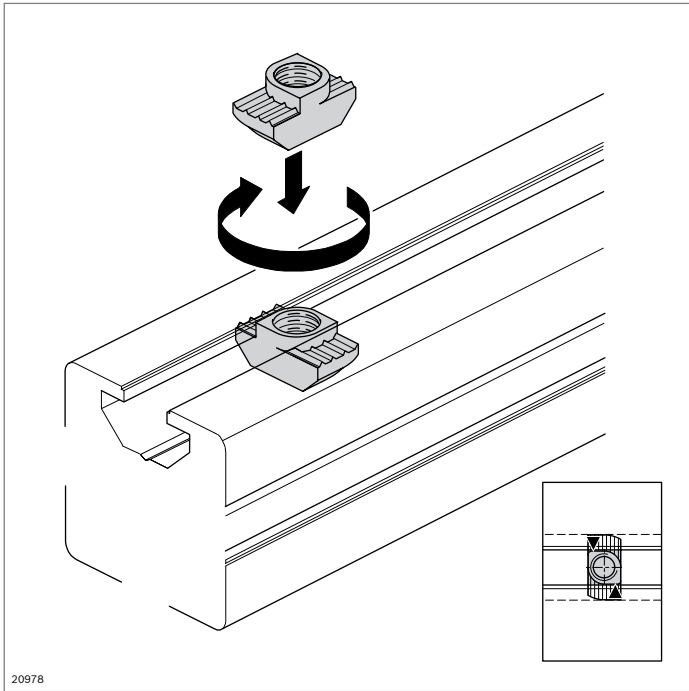
Bolt connector (p. 3-59)



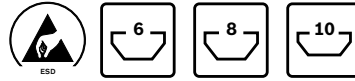
QV mounting kit (p. 3-62)

Connection elements, selection criteria

		recommended	suitable	unsuitable							
					Bracket	Inner bracket	Bolt connector	Central bolt	Quick connector	T-connector	Tensioning connector
	High feed force										
	High moment										
	High torsional moment										
	Minimal finishing work										
							D17	M12	D17		
	Minimal assembly										
	Low parts costs										
	Subsequent mounting in closed frame										
	Adjustment possible										
	Fixing of surface elements										
	Internal (concealable) connection										



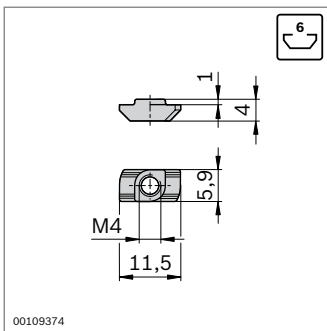
T-nut

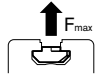




- ▶ Standard element for a secure and conductive connection
- ▶ End stop for correct positioning in the profile slot
- ▶ Stainless steel T-nut, e.g. for outdoor or cleanroom applications
- ▶ Profile finishing: not required

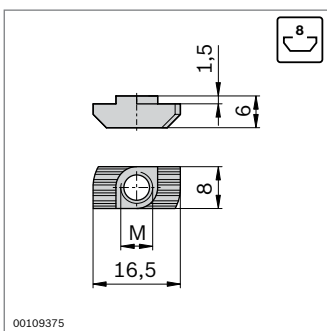
Technical data (p. 19-5)

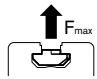
Accessories:
insulating cap (p. 3-5)









Slot	
6	1700 N

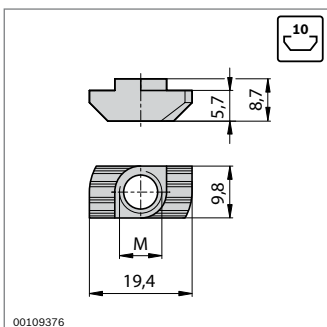
T-nut, 6 mm slot	Slot	M	ESD	No.
steel; galvanized	6	M4		100 3 842 523 135
Stainless steel	6	M4		100 3 842 536 599

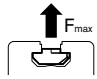


Slot	
8 (M6)	4000 N









T-nut, 8 mm slot	Slot	M	ESD	No.
steel; galvanized	8	M4		100 3 842 501 751
		M5*		100 3 842 501 752
		M6*		100 3 842 501 753
Stainless steel	8	M4		100 3 842 536 600
		M5		100 3 842 536 601
		M6		100 3 842 536 602

* Suitable for flat top chains. **Caution:** T-nuts have driving torque for safe turning in the base of the slot.

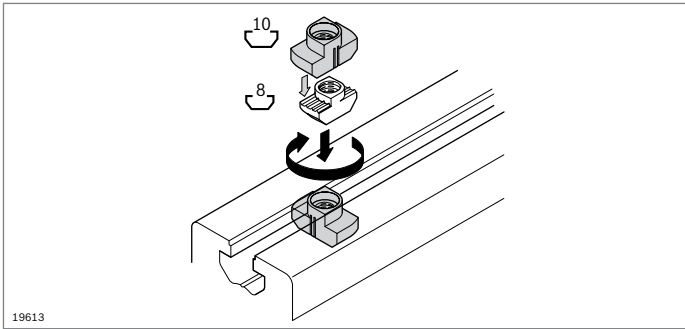


Slot	
10 (M8)	6000 ... 18000 N ¹⁾

¹⁾ Depending on profile (p. 19-5)

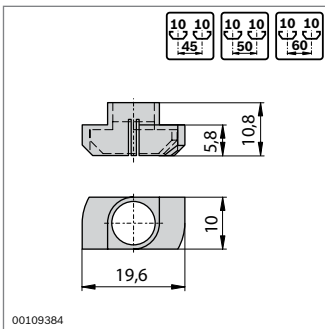
T-nut, 10 mm slot	Slot	M	ESD	No.
steel; galvanized	10	M4		100 3 842 530 281
		M5*		100 3 842 530 283
		M6*		100 3 842 530 285
		M8*		100 3 842 530 287
Stainless steel	10	M4		100 3 842 536 606
		M5		100 3 842 536 605
		M6		100 3 842 536 604
		M8		100 3 842 536 603

* Suitable for flat top chains. **Caution:** T-nuts have driving torque for safe turning in the base of the slot.



19613

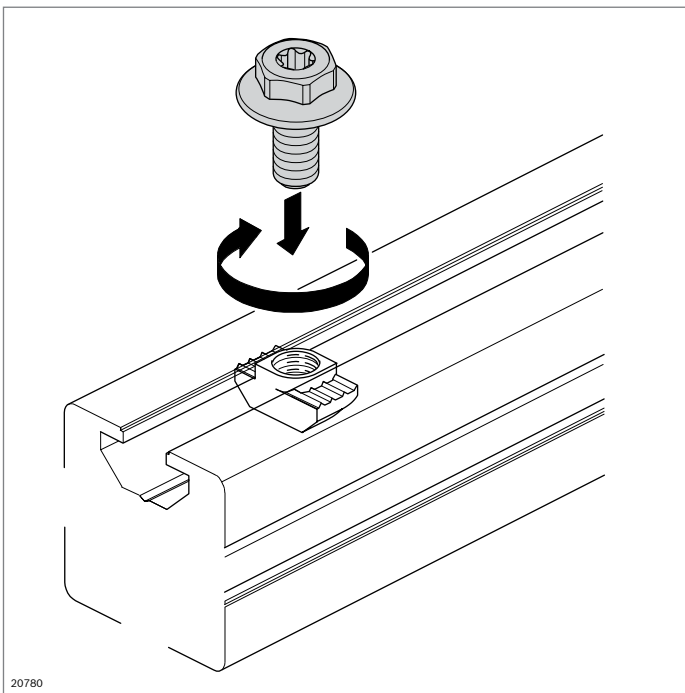
- ▶ Insulating cap for decoupling directly grounded components; for use with T-nuts for 8 mm slots in a 10 mm slot



00109384

Insulating cap for T-nut, 8 mm slot	Slot	No.
	10	10 3 842 524 012

Material: high-strength PA, black



20780

Collar screw



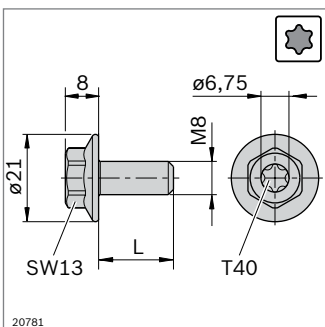
- ▶ Collar screw with multi-functional head so that tightening with a ring / open-end wrench (WS 13) or Torx screwdriver (T40) is possible
- ▶ Machine tightening possible
- ▶ Preferably to be used for fastening brackets
- ▶ Quick and simple assembly
- ▶ Excellent force transmission via the wide flange
- ▶ ESD-capable
- ▶ With Polyfleck to secure the T-nut

Tools:

Offset screwdriver (p. 14-6)

Accessories:

T-nut (p. 3-4)



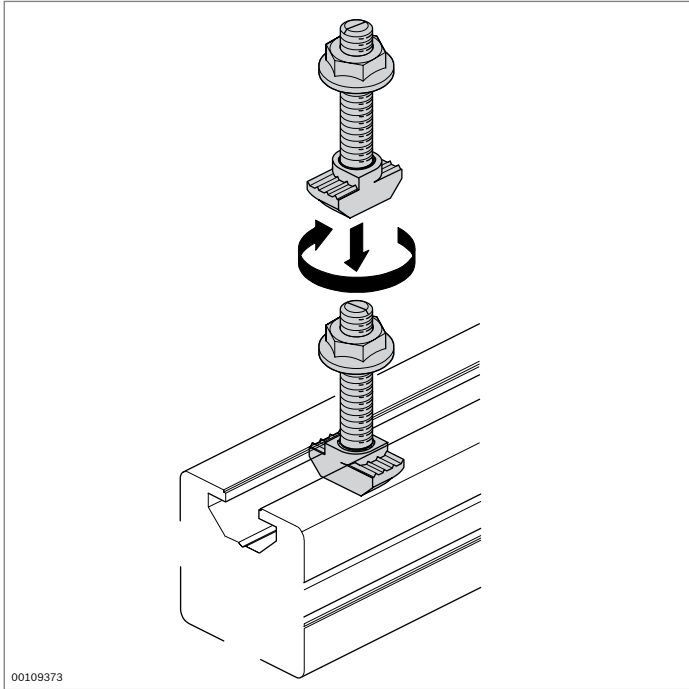
20781

Collar screw	M	L (mm)	ESD	No.
M8x18-SW13-T40¹⁾	M8	18	100	3 842 541 246
M8x20-SW13-T40²⁾	M8	20	100	3 842 541 409

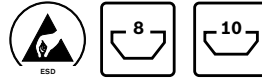
¹⁾ For 40/40 and 60/60 brackets

²⁾ For all other brackets for 10 mm slot

Material: steel; galvanized

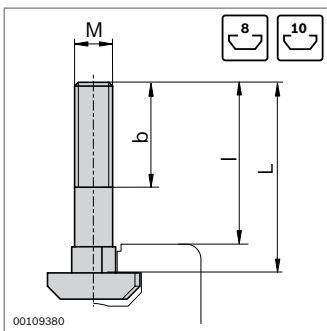
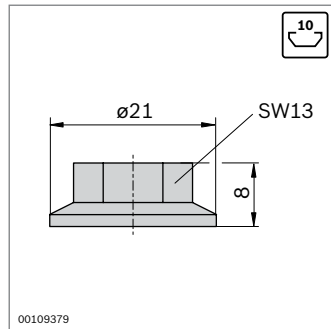
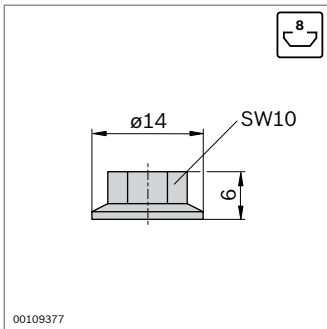


Flange nut T-bolt



- ▶ Secure, conductive connection
- ▶ Notch at bolt end as marker for identifying correct position
- ▶ Profile finishing: not required

Technical data (p. 19-5)



Slot	
8	4000 N
10	6000 ... 18000 N ¹⁾

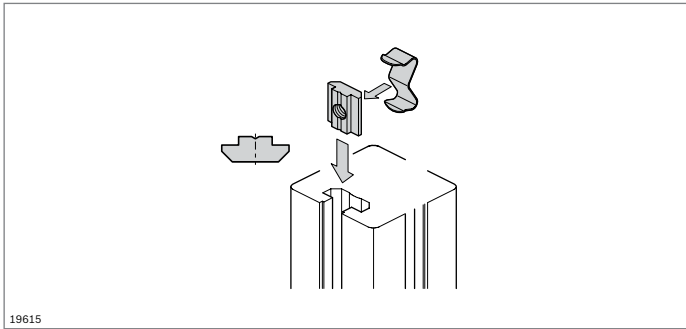
¹⁾ Depending on profile (p. 19-5)

Flange nut	Slot	M	ESD		No.
	8	M6		100	3 842 523 925
	10	M8		100	3 842 345 081

Material: steel; galvanized

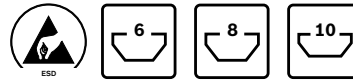
T-bolt	Slot	MxL	b (mm)	l (mm)	ESD		No.
8	8	M6x16	10	14		100	3 842 523 920
		M6x20	14	18		100	3 842 523 921
		M6x25	18	23		100	3 842 523 922
10	10	M8x20	14	14		100	3 842 528 715
		M8x25	19	19		100	3 842 528 718
		M8x30	24	24		100	3 842 528 721
		M8x40	22	34		100	3 842 528 724
		M8x50	22	44		100	3 842 528 727
		M8x60	22	54		100	3 842 528 730

Material: steel; galvanized



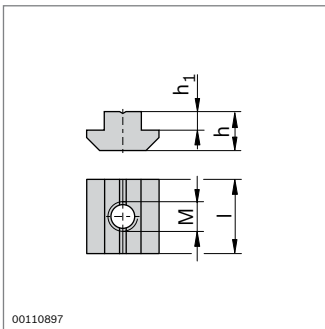
19615

Sliding block, sliding block profile



- ▶ Sliding block for reliable absorption of high forces
- ▶ Sliding block profile for self-assembly of individual fastening elements
- ▶ Profile finishing: not required
- ▶ The spring assists with the assembly and positioning of the sliding block and swivel-in sliding block (p. 3-8)

Technical data (p. 19-5)



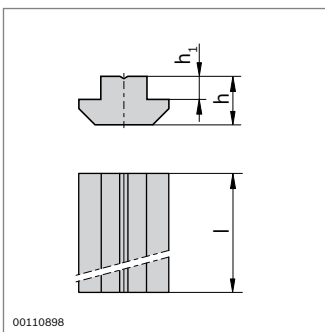
00110897

Slot	
6 (M5)	3 000 N
8 (M8)	6 000 N
10 (M8)	8 000 ... 24 000 N ¹⁾

¹⁾ Depending on profile (p. 19-5)

Sliding block	Slot	M	h (mm)	h ₁ (mm)	l (mm)	ESD	No.
steel; galvanized	6	M4	4.0	1.0	12		100 3 842 542 692
		M5	4.0	1.0	12		100 3 842 542 693
	8	M4	6.0	2.0	16		100 3 842 514 928
M5		6.0	2.0	16		100 3 842 514 929	
M6		6.0	2.0	16		100 3 842 514 930	
M8		6.0	2.0	16		100 3 842 514 931	
10	M5	10.5	5.0	20		100 3 842 528 741	
	M6	10.5	5.0	20		100 3 842 528 738	
	M8	10.5	5.0	20		100 3 842 528 735	
steel, stainless	6	M4	4.0	1.0	12		100 3 842 523 140
		M5	4.0	1.0	12		100 3 842 523 142
	8	M4	6.0	2.0	16		100 3 842 547 817
M5		6.0	2.0	16		100 3 842 547 816	
M6		6.0	2.0	16		100 3 842 547 815	
M8		6.0	2.0	16		100 3 842 547 814	
10	M5	10.5	5.0	20		100 3 842 547 813	
	M6	10.5	5.0	20		100 3 842 547 812	
	M8	10.5	5.0	20		100 3 842 547 811	

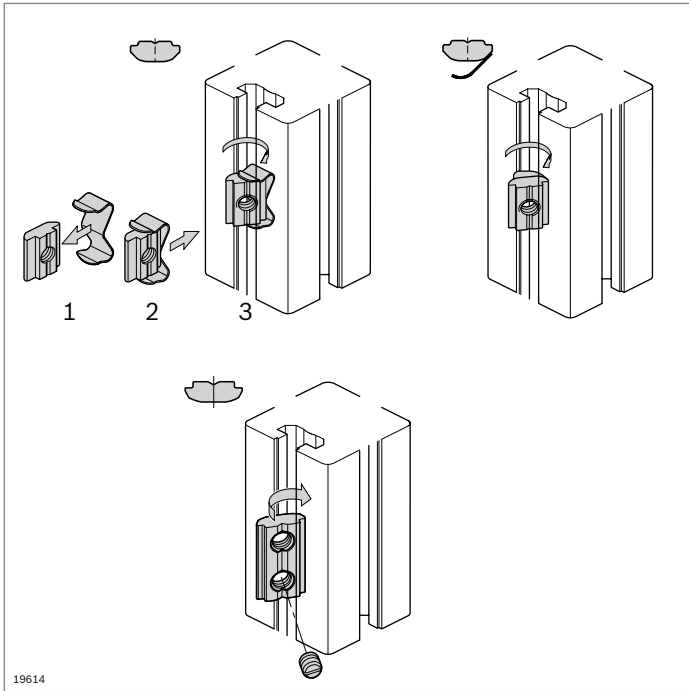
Accessories: Spring (p. 3-9)



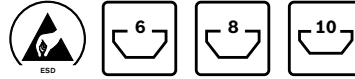
00110898

Sliding block profile	Slot	h (mm)	h ₁ (mm)	l (mm)	No.
steel; galvanized	6	4.0	1.0	1000	3 842 542 694
	8	6.0	2.0	1000	3 842 510 078
	10	10.5	5.0	1000	3 842 528 744
steel, stainless	6	4.0	1.0	1000	3 842 523 438

Accessories: Spring (p. 3-9)

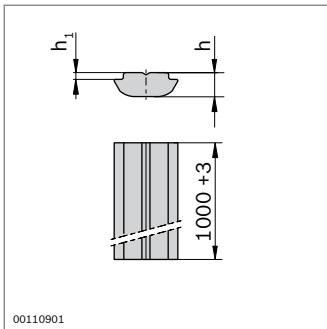


Sliding block, swivel-in sliding block profile, swivel-in spring



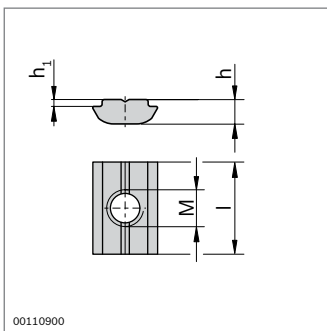
- ▶ Swivel-in sliding block profile for self-assembly of individual fastening elements
- ▶ The swivel-in sliding block for inserting directly at the installation position for really easy assembly
- ▶ The swivel-in sliding block with spring can be inserted directly at the assembly point and fixed in position thanks to attached springs
- ▶ The swivel-in sliding block with headless setscrews permits shake-proof fixing in all positions
- ▶ Profile finishing: not required

Technical data (p. 19-5)



Slot	
8 (M8)	2 200 N
10 (M8)	8 000 ... 18 000 N ¹⁾

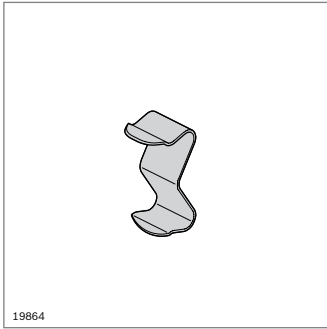
¹⁾ Depending on profile (p. 19-5)



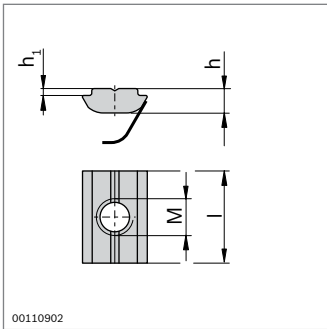
Swivel-in sliding block profile	Slot	h (mm)	h ₁ (mm)	l (mm)	No.
steel; galvanized	8	4.8	1.0	1000	3 842 529 327
	10	5.3	1.5	1000	3 842 529 325

Sliding block, swivel-in	Slot	M	h (mm)	h ₁ (mm)	l (mm)	ESD	No.
steel; galvanized	8	M5	4.8	1.0	16		100 3 842 529 319
		M6	4.8	1.0	16		100 3 842 529 320
		M8	4.8	1.0	16		100 3 842 529 321
	10	M6	5.3	1.5	20		100 3 842 529 323
		M8	5.3	1.5	20		100 3 842 529 324
steel, stainless	6	M3	3.0	0.9	12		100 3 842 547 826
		M4	3.0	0.9	12		100 3 842 536 669
		M5	3.0	0.9	12		100 3 842 547 825
	8	M6	4.8	1.0	16		100 3 842 530 321
		M8	5.3	1.5	20		100 3 842 530 316

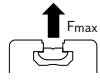
Accessories: spring (p. 3-9)



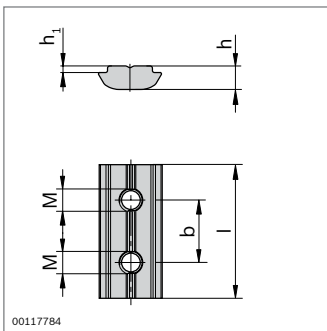
19864



00110902


Slot	
8 (M8)	2 200 N
10 (M8)	8 000 ... 18 000 N ¹⁾

¹⁾ Depending on profile (p. 19-5)



















00117784


- ▶ The spring assists with the assembly and positioning of the sliding block and swivel-in sliding block

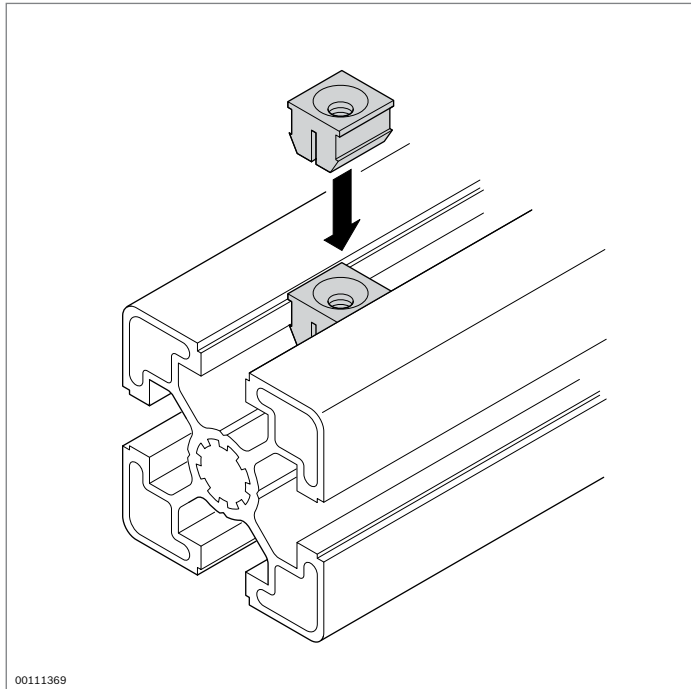
Spring	Slot		No.
Spring steel, stainless	6	100	3 842 523 145
	8	100	3 842 516 685
	10	100	3 842 516 669

3

Swivel-in sliding block with spring	Slot	M	h (mm)	h ₁ (mm)	l (mm)	ESD 	No.
steel; galvanized	8	M4	4.8	1.0	16		100 3 842 529 294
		M5	4.8	1.0	16		100 3 842 529 295
		M6	4.8	1.0	16		100 3 842 529 296
		M8	4.8	1.0	16		100 3 842 529 297
	10	M4	5.3	1.5	20		100 3 842 541 393
		M5	5.3	1.5	20		100 3 842 529 298
		M6	5.3	1.5	20		100 3 842 529 299
		M8	5.3	1.5	20		100 3 842 529 300
steel, stainless	8	M4	4.8	1.0	16		100 3 842 547 824
		M5	4.8	1.0	16		100 3 842 547 823
		M6	4.8	1.0	16		100 3 842 547 822
		M8	4.8	1.0	16		100 3 842 547 821
	10	M5	5.3	1.5	20		100 3 842 547 808
		M6	5.3	1.5	20		100 3 842 547 807
		M8	5.3	1.5	20		100 3 842 547 806

Material: Spring: Spring steel, stainless

Sliding block, swivel-in, with headless setscrew	Slot	M	b (mm)	h (mm)	h ₁ (mm)	l (mm)	ESD 	No.
steel; galvanized	8	M5	12	4.8	1.0	24	100	3 842 536 675
	10	M5	14	5.3	1.5	30	100	3 842 536 676
steel, stainless	6	M4	8	3.0	0.9	15	100	3 842 536 673



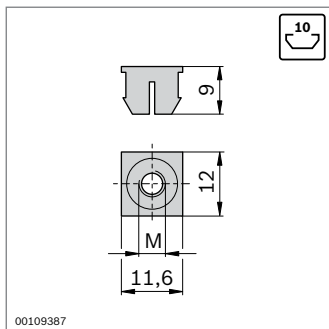
Straddling nut



- ▶ For attaching light accessories such as cable fasteners or rings
- ▶ Easy assembly by clipping into the profile groove
- ▶ Profile finishing: not required

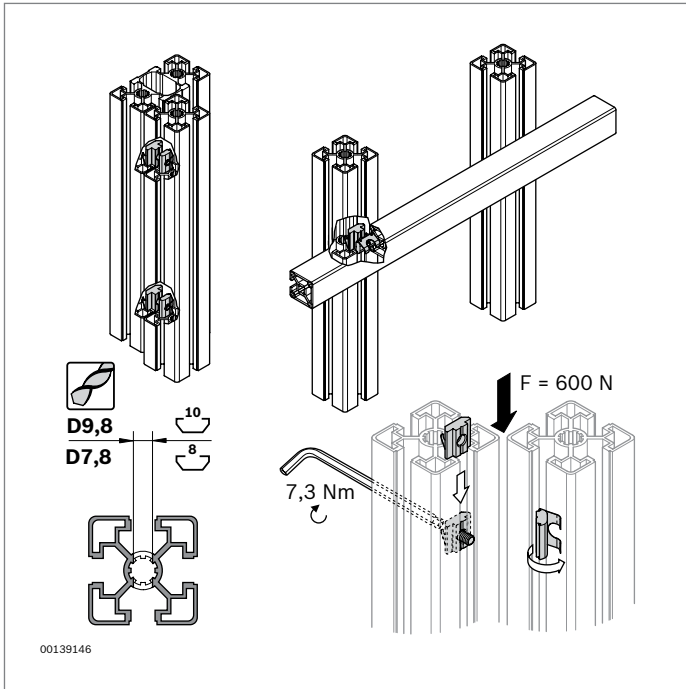
Required accessories:

Countersunk screw

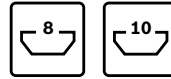


Straddling nut	Slot	M	No.
	10	M4	100 3 842 111 987
		M5	100 3 842 111 988
		M6	100 3 842 111 989

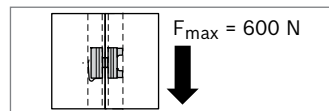
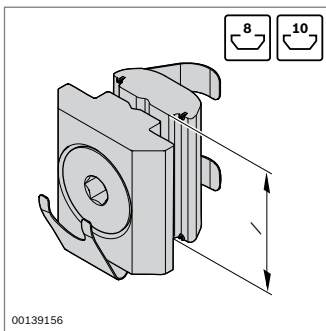
Material: PA; black



Parallel connector



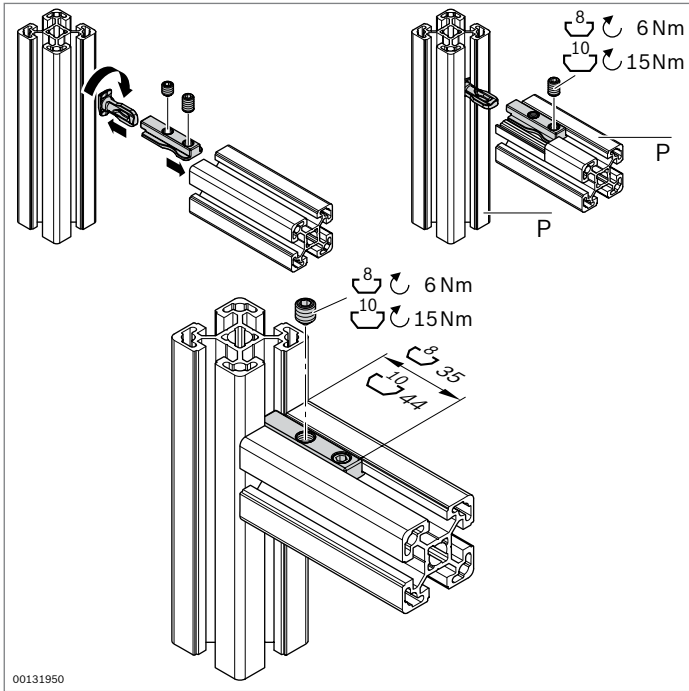
- ▶ For gap-free connecting of two strut profiles, parallel to the axis or at any angle
- ▶ Parallel connector consisting of two sliding blocks with welded springs for simple assembly
- ▶ Attractive-looking interior connection, e.g. for material shelves
- ▶ Connection possible in any position
- ▶ Transferable displacement force per parallel connector: 600 N
- ▶ Profile finishing: through-hole



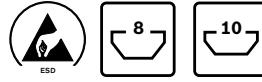
Parallel connector	Slot I (mm)		No.
	8	16 10	3 842 542 737
	10	20 10	3 842 542 736

Material: Sliding block: steel; galvanized
 Spring: Spring steel, stainless

Scope of delivery: sliding block with spring, swivel-in sliding block with spring, countersunk screw M5



Tensioning connector



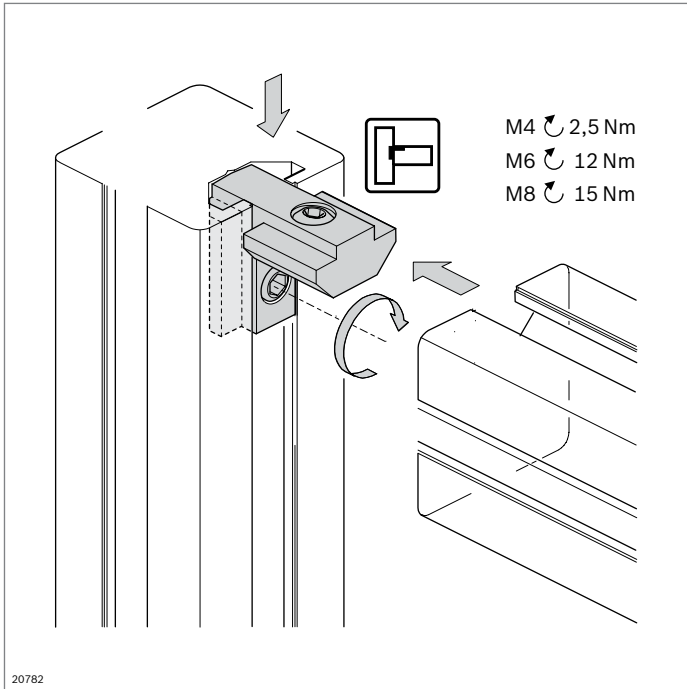
- ▶ Tensioning connector for fast assembly
- ▶ The connector can be moved within the slot
- ▶ Easily accessible screws
- ▶ Three slots are left free for mounting surface elements
- ▶ Profile finishing: not required

Technical data (p. 19-8)

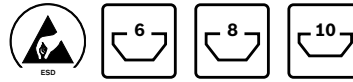
P			
30x...	1000 N	35 Nm	15 Nm
45x...L	3500 N	110 Nm	30 Nm
40x..., 45x..., 50x..., 90x...	3500 N	110 Nm	30 Nm
60x...	3500 N	195 Nm	60 Nm

Tensioning connector	Slot	P	ESD		No.
8	8	30x...		10	3 842 538 489
10L	10	45x...L		10	3 842 538 491
10	10	40x..., 45x..., 50x..., 60x..., 90x...		10	3 842 538 490

Material: steel; galvanized

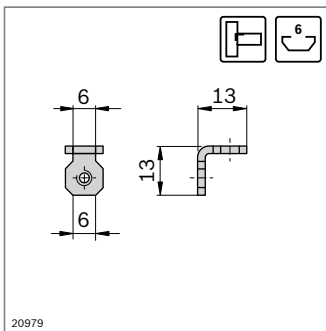


Inner bracket



- ▶ For elegant, easy-to-assemble profile connections
- ▶ Especially suitable for constructing frames for doors, protective grilles, or partition walls
- ▶ The inner bracket, 6 mm slot, can also be used as an inner bracket R, 6 mm slot
- ▶ Profile finishing: not required

Technical data (p. 19-8)

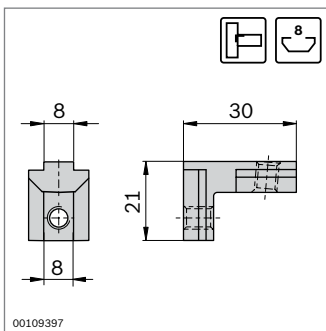


FS1

 DIN 915
 M4x6

Inner bracket	Slot	ESD		No.	FS
	6 / 6		10	3 842 535 574	2xFS1

Material: sheet steel; galvanized
 Fastening material: steel; galvanized
 Scope of delivery: incl. fastening material (FS)



Slot

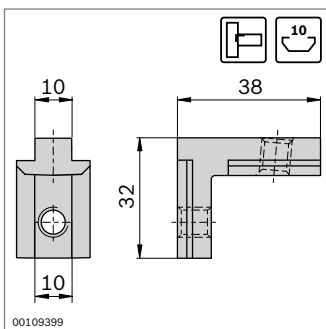
 F_{max} M_{max}
 8 / 8 2200 N 50 Nm

FS2

 DIN 913
 M6x8

Inner bracket	Slot	ESD		No.	FS
	8 / 8		10	3 842 535 578	2xFS2

Material: cast steel; galvanized
 Fastening material: steel; galvanized
 Scope of delivery: incl. fastening material (FS)



Slot

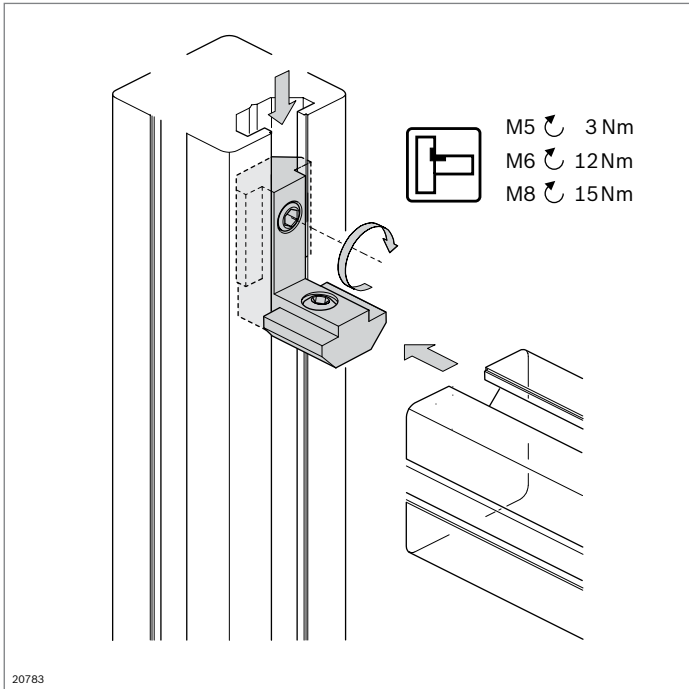
 F_{max} M_{max}
 10 / 10 2800 N 100 Nm

FS3

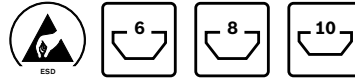
 DIN 913
 M8x12

Inner bracket	Slot	ESD		No.	FS
	10 / 10		10	3 842 535 572	2xFS3

Material: cast steel; galvanized
 Fastening material: steel; galvanized
 Scope of delivery: incl. fastening material (FS)

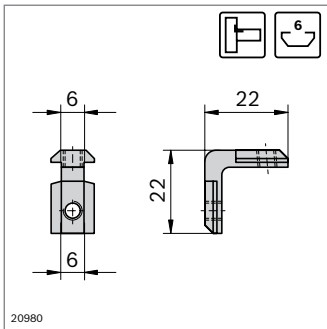


Inner bracket R



- ▶ For elegant, easy-to-assemble profile connections
- ▶ Especially suitable for constructing frames for doors, protective grilles, or partition walls
- ▶ Profile finishing: not required

Technical data (p. 19-8)

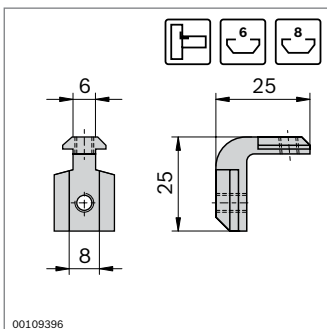


Slot	F_{max}	M_{max}
6 / 6	600 N	10 Nm

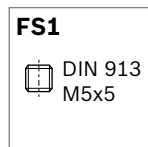


Inner bracket R	Slot	ESD	No.	FS
	6 / 6		10	3 842 535 575 2xFS1

Material: cast steel; galvanized
Fastening material: steel; galvanized
Scope of delivery: incl. fastening material (FS)

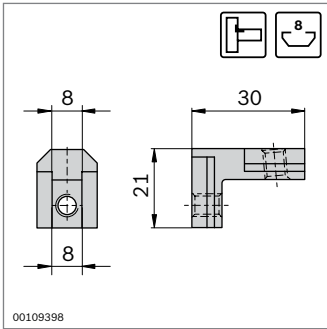


Slot	F_{max}	M_{max}
6 / 8	600 N	10 Nm

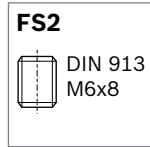


Inner bracket R	Slot	ESD	No.	FS
	6 / 8		10	3 842 535 573 2xFS1

Material: cast steel; galvanized
Fastening material: steel; galvanized
Scope of delivery: incl. fastening material (FS)

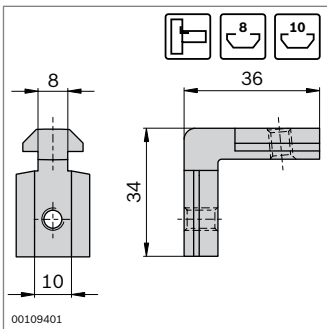


Slot	F_{max}	M_{max}
8 / 8	2500 N	50 Nm

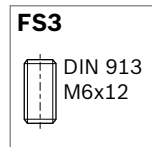
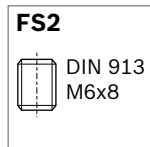


Inner bracket R	Slot	ESD	No.	FS
	8 / 8		10	3 842 535 577 2xFS2

Material: cast steel; galvanized
Fastening material: steel; galvanized
Scope of delivery: incl. fastening material (FS)

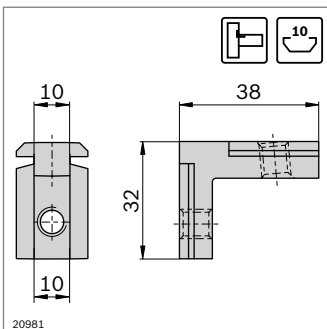


Slot	F_{max}	M_{max}
8 / 10	2500 N	50 Nm

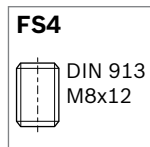


Inner bracket R	Slot	ESD	No.	FS
	8 / 10		10	3 842 535 576 FS2, FS3

Material: cast steel; galvanized
Fastening material: steel; galvanized
Scope of delivery: incl. fastening material (FS)

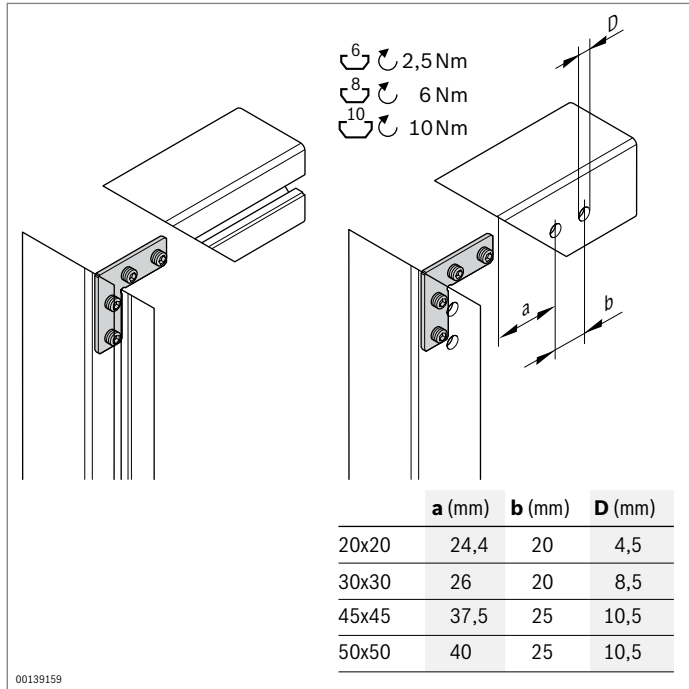


Slot	F_{max}	M_{max}
10 / 10	3000 N	100 Nm

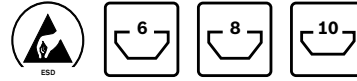


Inner bracket R	Slot	ESD	No.	FS
	10 / 10		10	3 842 535 571 2xFS4

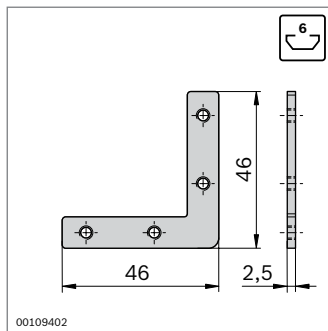
Material: cast steel; galvanized
Fastening material: steel; galvanized
Scope of delivery: incl. fastening material (FS)



Miter bracket

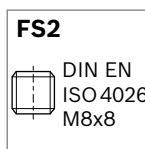
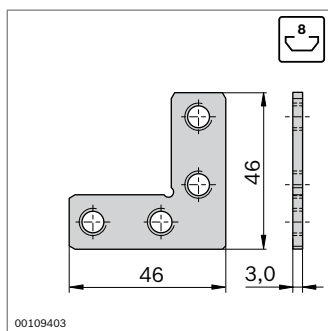


- For making right-angled, miter-cut profile connections
- Profile finishing with open profile slots: not required
- Profile finishing with closed profile slots: through-holes for screwdriver



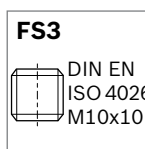
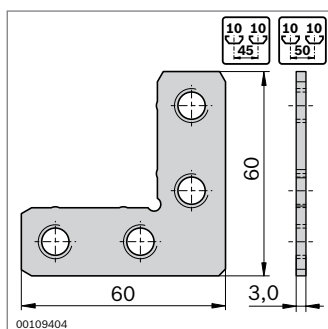
Miter bracket	Slot	ESD	No.	FS
	6		20	3 842 535 626 4xFS1

Material: steel, stainless
 Fastening material: steel; galvanized
 Scope of delivery: incl. fastening material (FS)



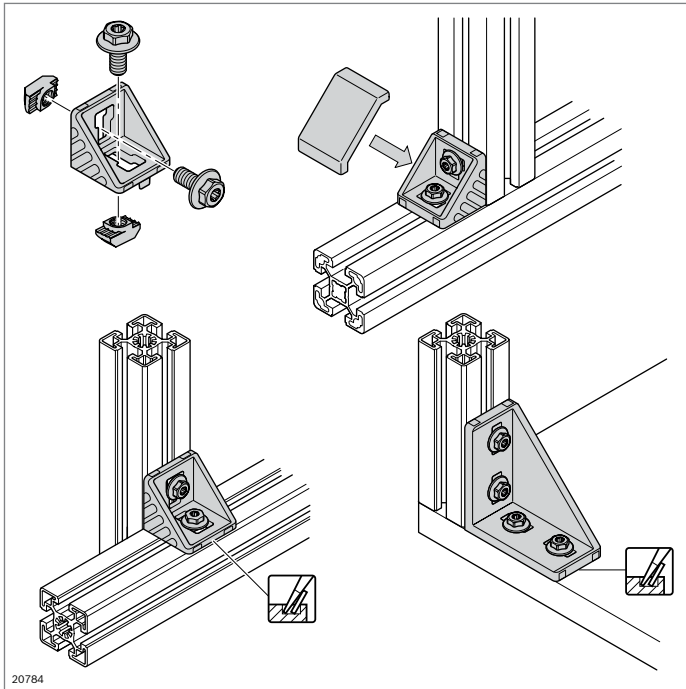
Miter bracket	Slot	ESD	No.	FS
	8		20	3 842 535 627 4xFS2

Material: steel; galvanized
 Fastening material: steel; galvanized
 Scope of delivery: incl. fastening material (FS)

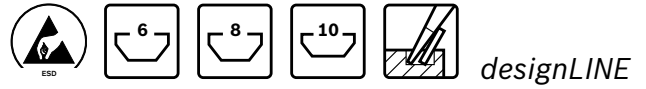


Miter bracket	Slot	ESD	No.	FS
	10		20	3 842 535 625 4xFS3

Material: steel; galvanized
 Fastening material: steel; galvanized
 Scope of delivery: incl. fastening material (FS)



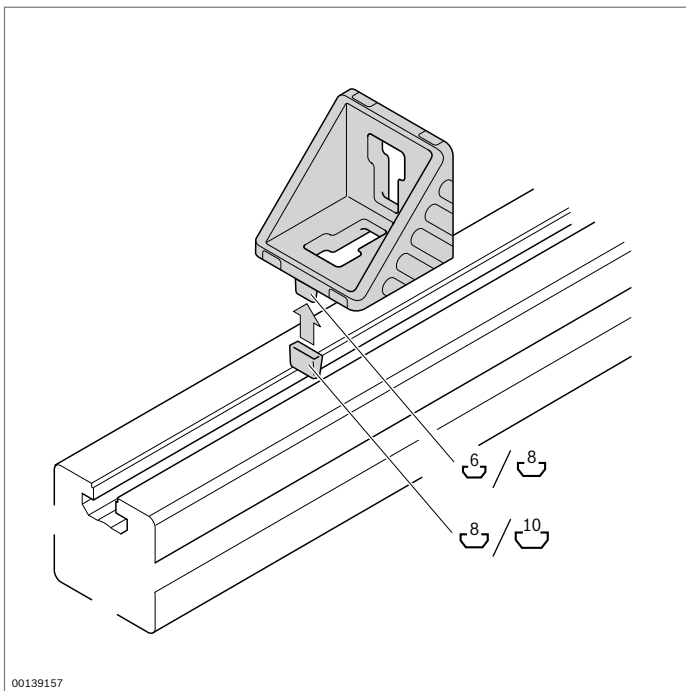
Bracket

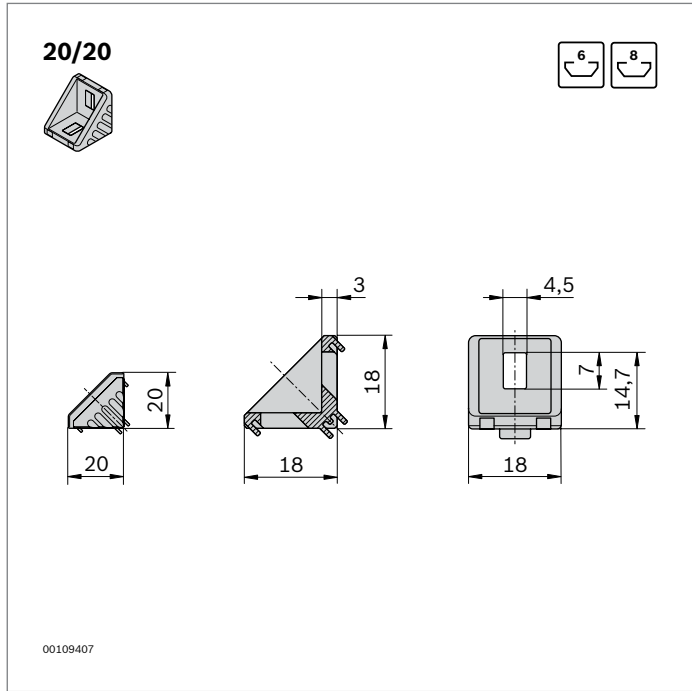


- ▶ Brackets with centering lugs for rapid, precise assembly with protection against turning
- ▶ Centering lugs can be easily broken off for assembly on plates or at right angles to the slot
- ▶ *designLINE* version with special silver paint (RAL 9006) for an attractive, high-quality design
- ▶ Intermediate element for positioning brackets in the next largest slot
- ▶ Offset sliding block for off-center positioning of the 45/45 bracket
- ▶ Cover cap to protect from dirt, available in signal gray (RAL 7004) and black ESD (RAL 9005)
- ▶ Profile finishing: not required

Technical data (p. 19-9)

Note: The collar screws enable the brackets to be assembled really quickly and easily (p. 3-5)



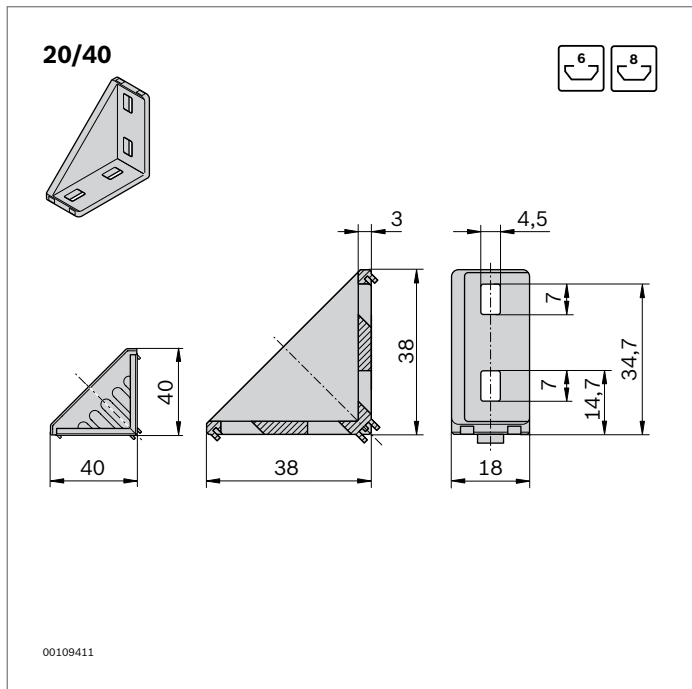
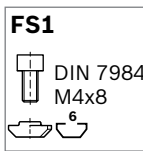


20/20	Slot	ESD		No.	FS
Set (standard)	6 / 6		1	3 842 523 511	2xFS1
<i>designLINE</i> set	6 / 6		1	3 842 551 596	2xFS1
Bracket (standard)	6		100	3 842 523 508	
Cover cap, signal gray			100	3 842 548 842	
Cover cap, black			20	3 842 548 843	
Intermediate element for 8 mm slot	6 / 8		100	3 842 523 516	

Material: Bracket: Diecast aluminum, vibratory ground
designLINE bracket: painted (RAL 9006)
 Adapter: PA; black
 Cover cap: PP
 Fastening material: steel; galvanized

Scope of delivery: set incl. fastening material (FS)

Type				
20/20	700 N	6 Nm	25 Nm	–

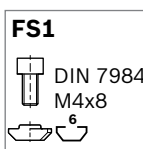


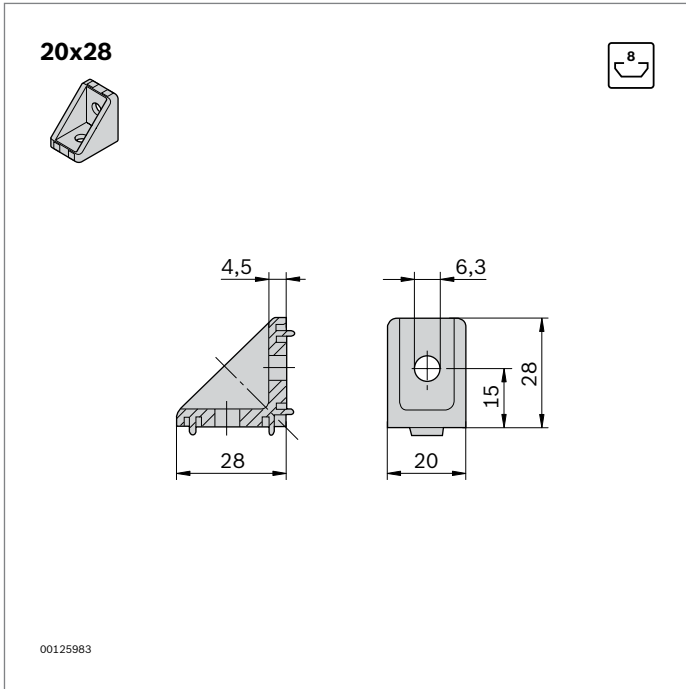
20/40	Slot	ESD		No.	FS
Set (standard)	6 / 6		1	3 842 523 520	4xFS1
<i>designLINE</i> set	6 / 6		1	3 842 551 597	4xFS1
Bracket (standard)	6		20	3 842 523 517	
Cover cap, signal gray			20	3 842 548 844	
Cover cap, black			20	3 842 548 845	
Adapter for 8 mm slot	6 / 8		100	3 842 523 516	

Material: Bracket: Diecast aluminum, vibratory ground
designLINE bracket: painted (RAL 9006)
 Adapter: PA; black
 Cover cap: PP
 Fastening material: steel; galvanized

Scope of delivery: set incl. fastening material (FS)

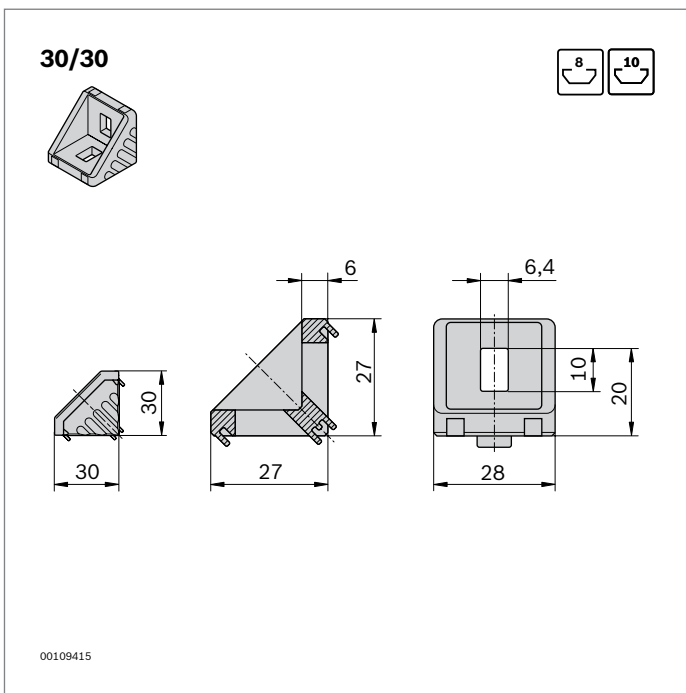
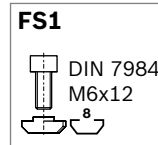
Type				
20/40	1400 N	15 Nm	50 Nm	8 Nm





20x28	Slot	ESD	No.	FS
Set (standard)	8 / 8		1 3 842 502 137	2xFS1
Bracket (standard)	8		100 3 842 501 587	

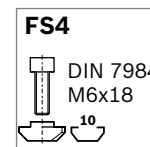
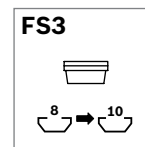
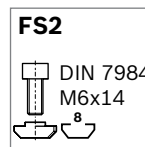
Material: diecast zinc
 Fastening material: steel; galvanized
 Scope of delivery: set incl. fastening material (FS)

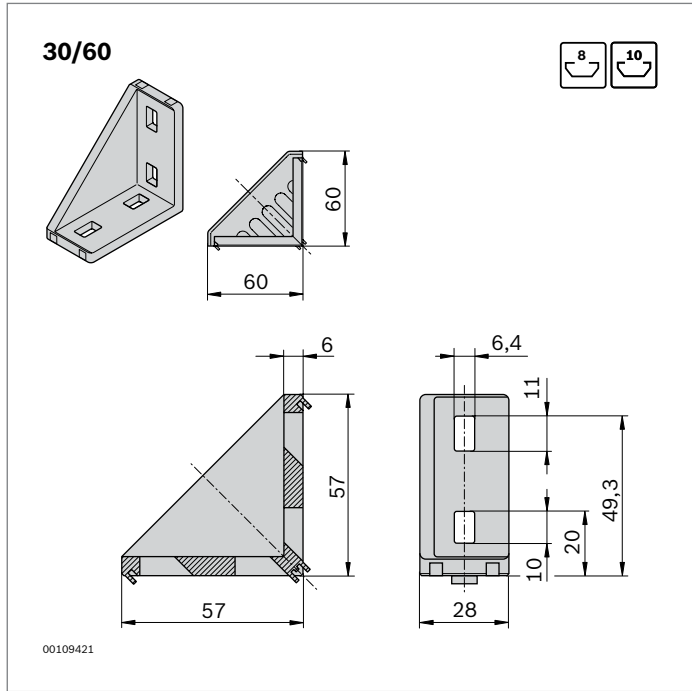


30/30	Slot	ESD	No.	FS
Set (standard)	8 / 8		1 3 842 523 528	2xFS2
	8 / 10		1 3 842 523 530	1xFS2, 2xFS3, 1xFS4
	10 / 10		1 3 842 523 532	4xFS3, 2xFS4
designLINE set	8 / 8		1 3 842 551 598	2xFS2
	8 / 10		1 3 842 551 600	1xFS2, 2xFS3, 1xFS4
	10 / 10		1 3 842 551 599	4xFS3, 2xFS4
Bracket (standard)	8		100 3 842 523 525	
Cover cap, signal gray			100 3 842 548 846	
Cover cap, black			20 3 842 548 847	
Adapter for 10 mm slot	8 / 10		100 3 842 523 537	

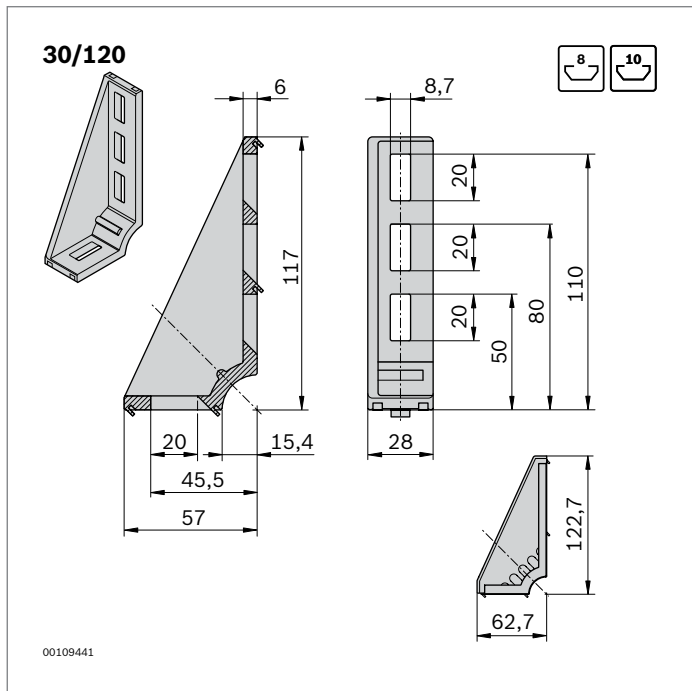
Material: Bracket: Diecast aluminum, vibratory ground
 designLINEbracket: painted (RAL 9006)
 Adapter: PA; black
 Cover cap: PP
 Fastening material: steel; galvanized
 Scope of delivery: set incl. fastening material (FS)

Type				
30/30	1250 N	25 Nm	75 Nm	—





Type				
30/60	2500 N	100 Nm	170 Nm	25 Nm

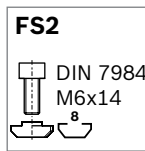


Type			
30/120	3750 N	100 Nm	47 Nm

30/60	Slot	ESD		No.	FS
Set (standard)	8 / 8		1	3 842 523 541	4xFS2
<i>designLINE</i> set	8 / 8		1	3 842 551 601	4xFS2
Bracket (standard)	8		20	3 842 523 538	
Cover cap, signal gray			20	3 842 548 848	
Cover cap, black			20	3 842 548 849	
Adapter for 10 mm slot	8 / 10		100	3 842 523 537	

Material: Bracket: Diecast aluminum, vibratory ground
designLINE bracket: painted (RAL 9006)
 Adapter: PA, black
 Cover cap: PP
 Fastening material: steel; galvanized

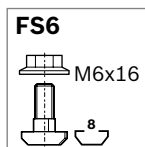
Scope of delivery: set incl. fastening material (FS)

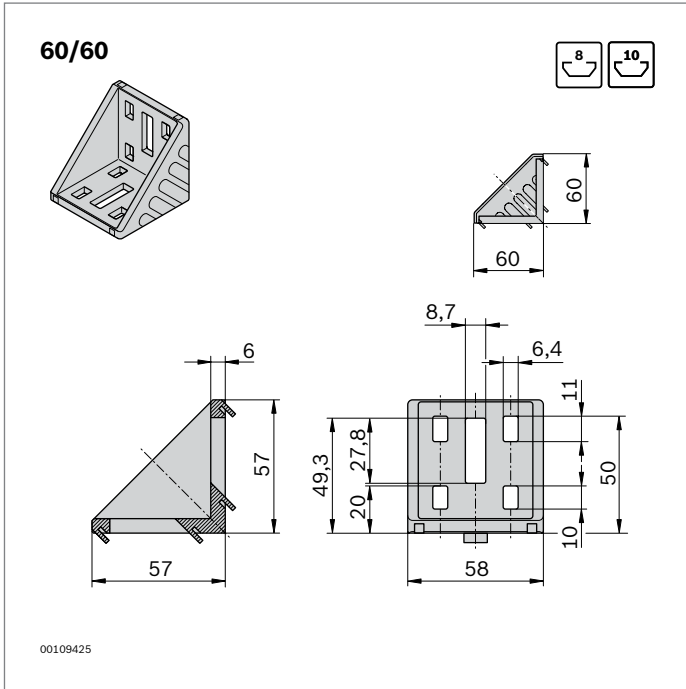


30/120	Slot	ESD		No.	FS
<i>designLINE</i> set	8 / 8		1	3 842 551 602	2xFS6
Bracket (standard)	8		20	3 842 523 587	
Cover cap, signal gray			20	3 842 548 850	
Cover cap, black			20	3 842 548 851	
Adapter for 10 mm slot	8 / 10		100	3 842 523 537	

Material: Bracket: Diecast aluminum, vibratory ground
designLINE bracket: painted (RAL 9006)
 Adapter: PA, black
 Cover cap: PP
 Fastening material: steel; galvanized

Scope of delivery: set incl. fastening material (FS)



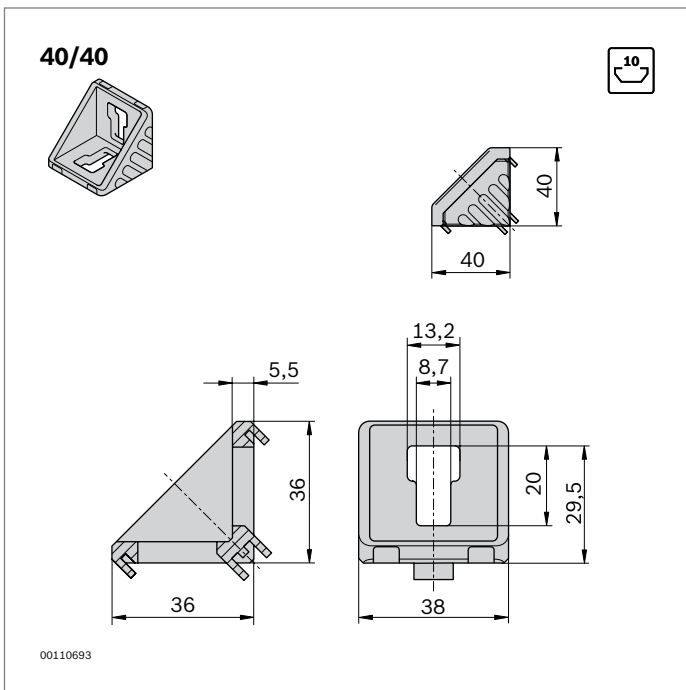
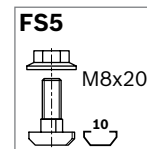
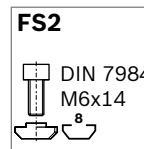


60/60	Slot	ESD	No.	FS
Set (standard)	8 / 8		1	3 842 523 549 8xFS2
	8 / 10		1	3 842 523 551 4xFS2, 1xFS5
	10 / 10		1	3 842 523 553 2xFS5
<i>designLINE</i> set	8 / 8		1	3 842 551 609 8xFS2
	8 / 10		1	3 842 551 610 4xFS2, 1xFS5
	10 / 10		1	3 842 551 611 2xFS5
Bracket (standard)	8		20	3 842 523 546
Cover cap, signal gray			20	3 842 548 852
Cover cap, black			20	3 842 548 853
Adapter for 10 mm slot	10		100	3 842 523 537

Material: Bracket: Diecast aluminum, vibratory ground
designLINE bracket: painted (RAL 9006)
 Adapter: PA; black
 Cover cap: PP
 Fastening material: steel; galvanized

Scope of delivery: set incl. fastening material (FS)

Type	Slot				
60/60	8	5000 N	320 Nm	370 Nm	110 Nm
	10	3000 N	125 Nm	150 Nm	-

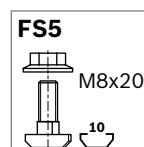


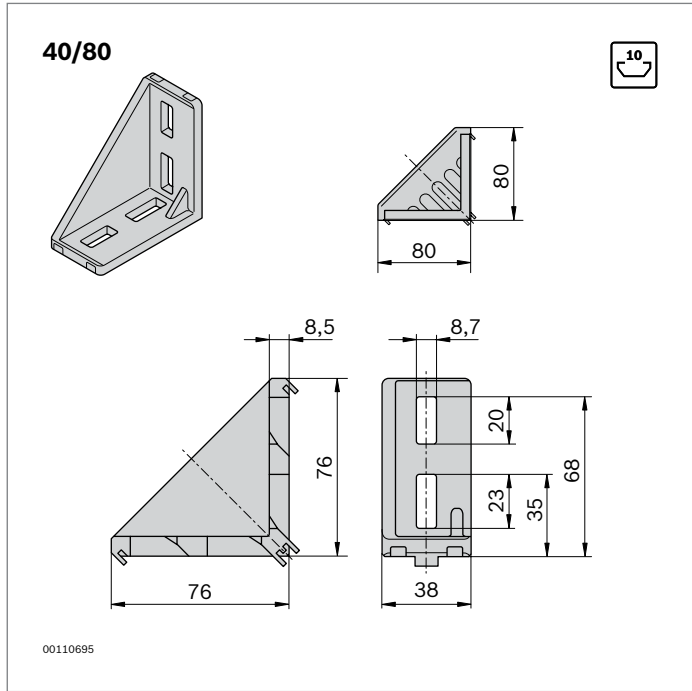
40/40	Slot	ESD	No.	FS
Set (standard)	10 / 10		1	3 842 529 383 2xFS5
<i>designLINE</i> set	10 / 10		1	3 842 551 603 2xFS5
Bracket (standard)	10		100	3 842 528 967
Cover cap, signal gray			100	3 842 548 854
Cover cap, black			20	3 842 548 855

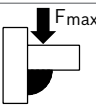
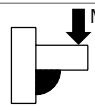
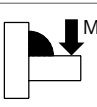
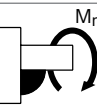
Material: Bracket: Diecast aluminum, vibratory ground
designLINE bracket: painted (RAL 9006)
 Cover cap: PP
 Fastening material: steel; galvanized




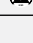

Scope of delivery: set incl. fastening material (FS)

Type				
40/40	3000 N	55 Nm	145 Nm	35 Nm

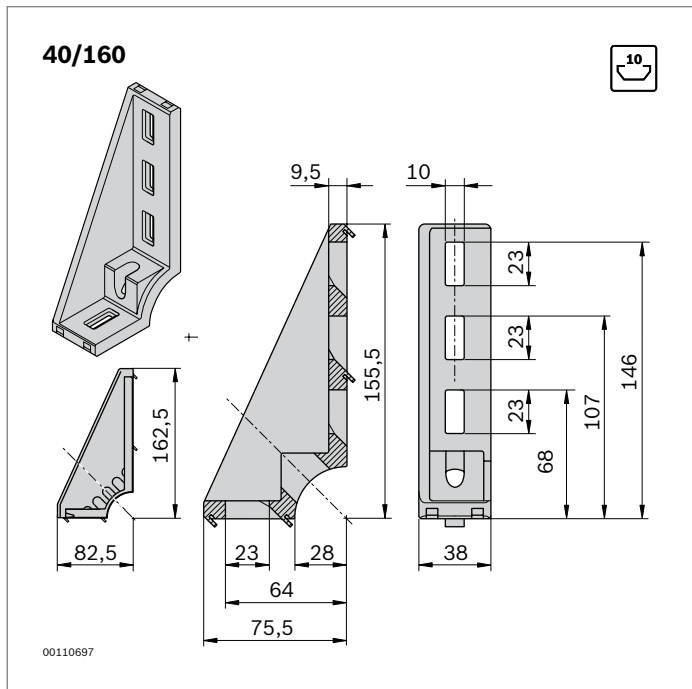
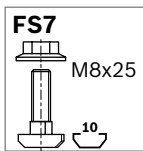


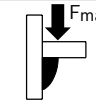
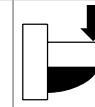
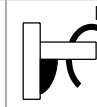




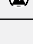

Type				
40/80	6000 N	180 Nm	400 Nm	60 Nm

40/80	Slot	ESD		No.	FS
Set (standard)	10 / 10		1	3 842 529 386	4xFS7
<i>designLINE</i> set	10 / 10		1	3 842 551 604	4xFS7
Bracket (standard)	10		20	3 842 529 005	
Cover cap, signal gray			20	3 842 548 856	
Cover cap, black			20	3 842 548 857	

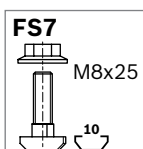
Material: Bracket: Diecast aluminum, vibratory ground
designLINE bracket: painted (RAL 9006)
 Cover cap: PP
 Fastening material: steel; galvanized
 Scope of delivery: set incl. fastening material (FS)

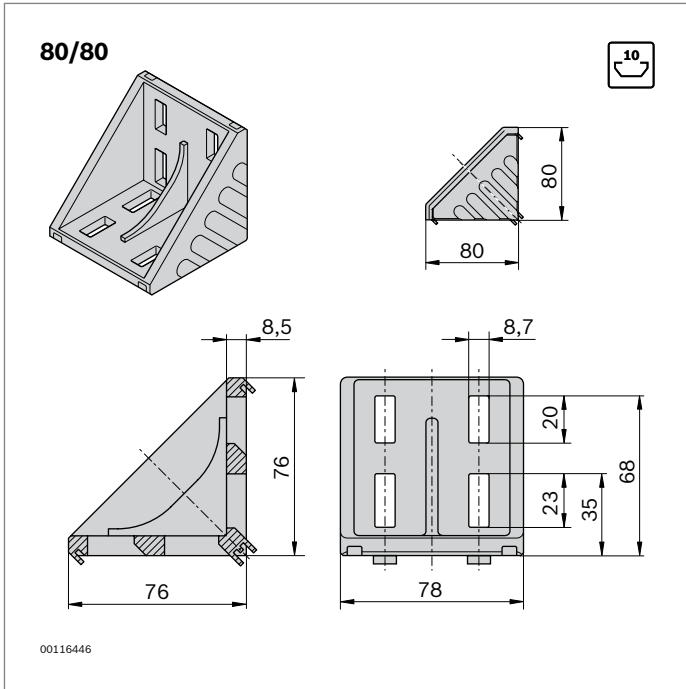





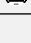

Type			
40/160	9000 N	250 Nm	60 Nm

40/160	Slot	ESD		No.	FS
<i>designLINE</i> set	10 / 10		1	3 842 551 605	2xFS7
Bracket (standard)	10		20	3 842 529 006	
Cover cap, signal gray			20	3 842 548 858	
Cover cap, black			20	3 842 548 859	

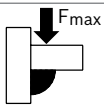
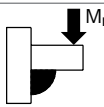
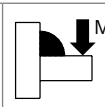
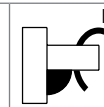
Material: Bracket: Diecast aluminum, vibratory ground
designLINE bracket: painted (RAL 9006)
 Cover cap: PP
 Fastening material: steel; galvanized
 Scope of delivery: set incl. fastening material (FS)

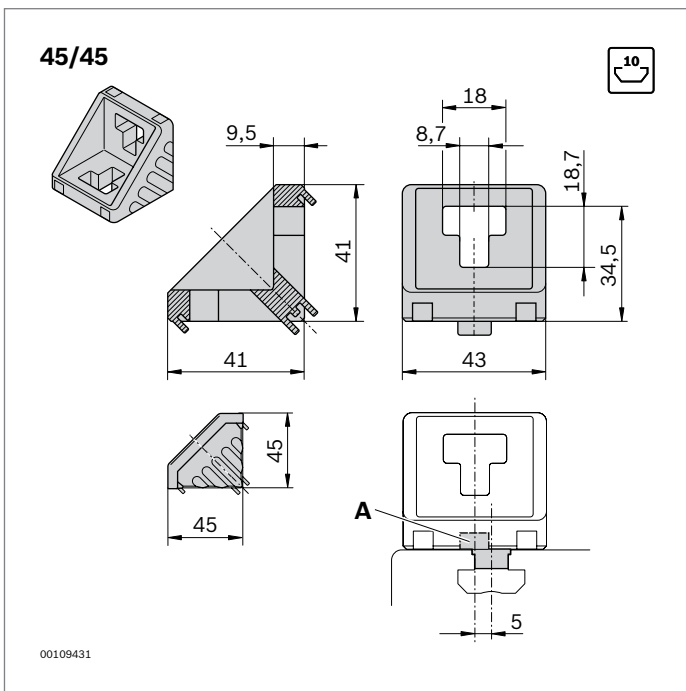
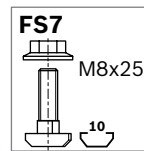





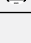



80/80	Slot	ESD		No.	FS
Set (standard)	10 / 10		1	3 842 530 360	8xFS7
<i>designLINE</i> set	10 / 10		1	3 842 551 612	8xFS7
Bracket (standard)	10		20	3 842 530 231	
Cover cap, signal gray			20	3 842 548 860	
Cover cap, black			20	3 842 548 861	

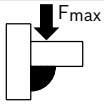
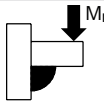
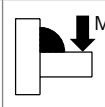
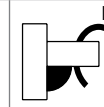
Material: Bracket: Diecast aluminum, vibratory ground
designLINE bracket: painted (RAL 9006)
 Cover cap: PP
 Fastening material: steel; galvanized
 Scope of delivery: set incl. fastening material (FS)

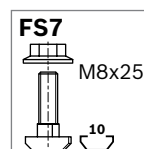
Type				
80/80	14000 N	500 Nm	1000 Nm	400 Nm

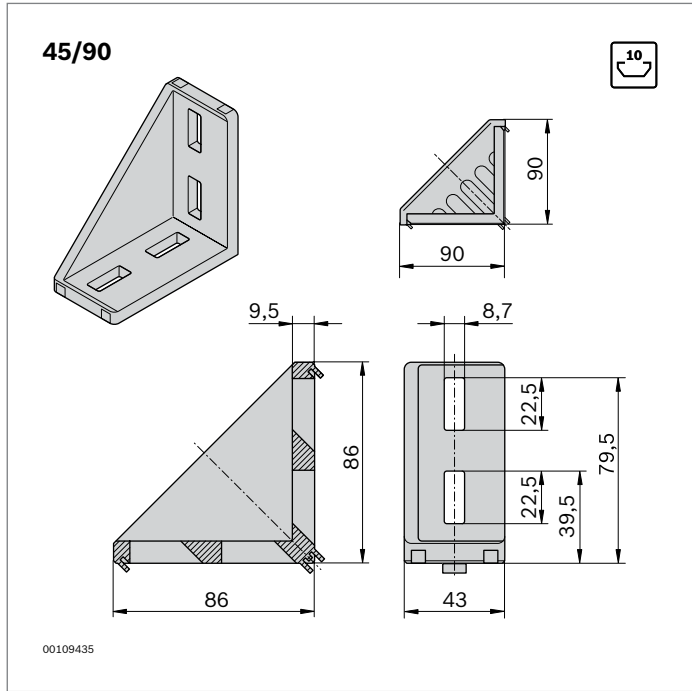


45/45	Slot	ESD		No.	FS
Set (standard)	10 / 10		1	3 842 523 561	2xFS7
<i>designLINE</i> set	10 / 10		1	3 842 551 606	2xFS7
Bracket (standard)	10		100	3 842 523 558	
Cover cap, signal gray			100	3 842 548 862	
Cover cap, black			20	3 842 548 863	
Sliding block, offset (A)	10		100	3 842 523 593	

Material: Bracket: Diecast aluminum, vibratory ground
designLINE bracket: painted (RAL 9006)
 Sliding block, offset: PA, black
 Cover cap: PP
 Fastening material: steel; galvanized
 Scope of delivery: set incl. fastening material (FS)

Type				
45/45	3000 N	60 Nm	160 Nm	—

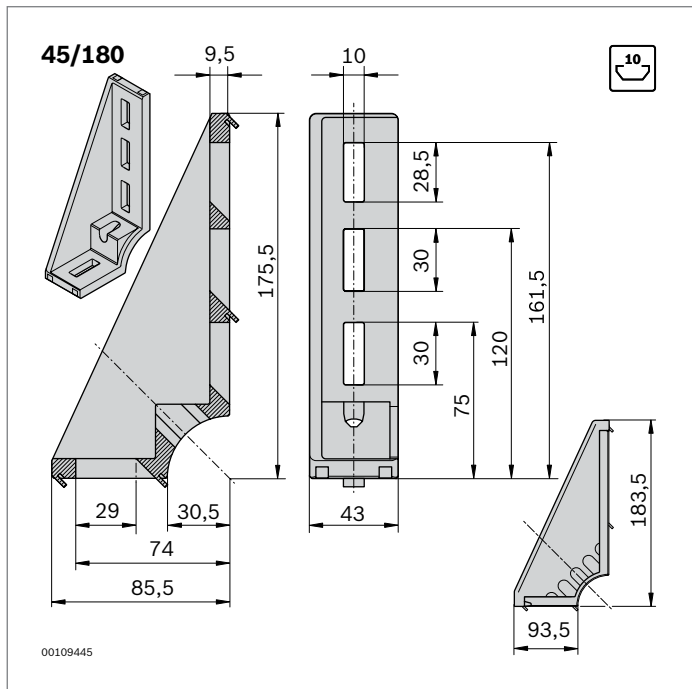
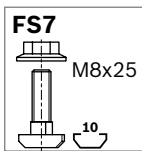




Type				
45/90	6000 N	180 Nm	400 Nm	60 Nm

45/90	Slot	ESD		No.	FS
Set (standard)	10 / 10		1	3 842 523 570	4xFS7
<i>designLINE</i> set	10 / 10		1	3 842 551 607	4xFS7
Bracket (standard)	10		100	3 842 523 567	
Cover cap, signal gray			20	3 842 548 864	
Cover cap, black			20	3 842 548 865	

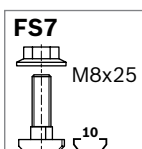
Material: Bracket: Diecast aluminum, vibratory ground
designLINE bracket: painted (RAL 9006)
 Cover cap: PP
 Fastening material: steel; galvanized
 Scope of delivery: set incl. fastening material (FS)

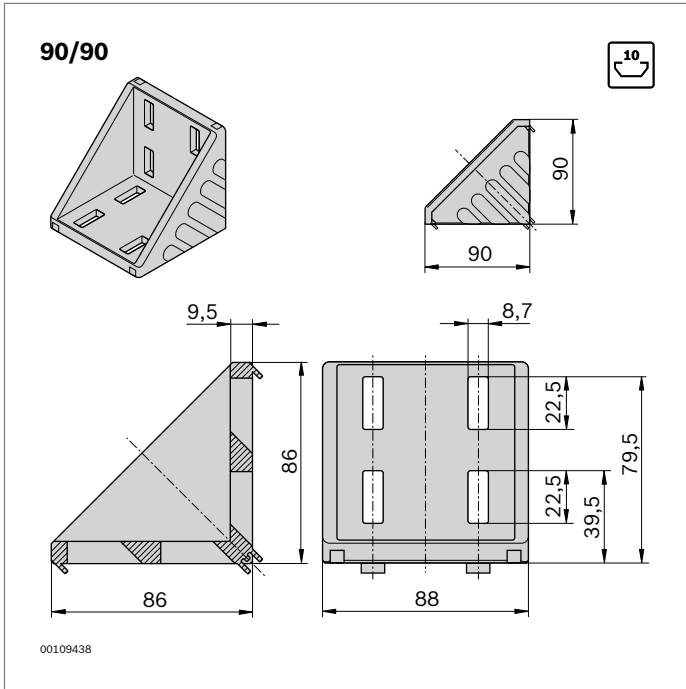







Type			
45/180	9000 N	250 Nm	65 Nm

45/180	Slot	ESD		No.	FS
<i>designLINE</i> set	10 / 10		1	3 842 551 608	2xFS7
Bracket (standard)	10		20	3 842 523 583	
Cover cap, signal gray			20	3 842 548 866	
Cover cap, black			20	3 842 548 867	

Material: Bracket: Diecast aluminum, vibratory ground
designLINE bracket: painted (RAL 9006)
 Cover cap: PP
 Fastening material: steel; galvanized
 Scope of delivery: set incl. fastening material (FS)



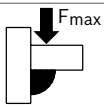
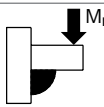
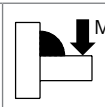
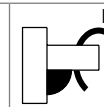


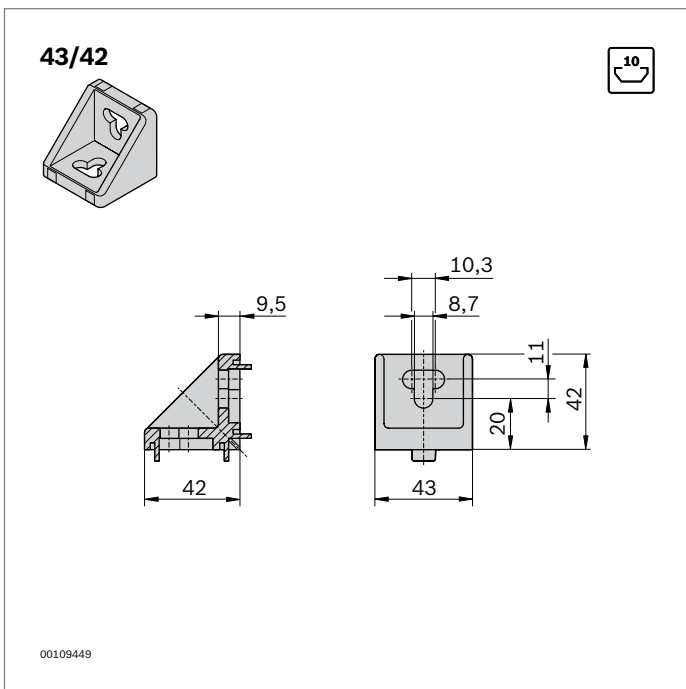
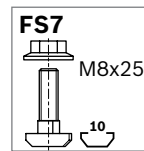
90/90	Slot	ESD		No.	FS
Set (standard)	10 / 10		1	3 842 523 578	8xFS7
<i>designLINE</i> set	10 / 10		1	3 842 551 613	8xFS7
Bracket (standard)	10		20	3 842 523 575	
Cover cap, signal gray			20	3 842 548 868	
Cover cap, black			20	3 842 548 869	




Material: Bracket: Diecast aluminum, vibratory ground
designLINE bracket: painted (RAL 9006)
 Cover cap: PP

Fastening material: steel; galvanized

Scope of delivery: set incl. fastening material (FS)

Type				
90/90	12000 N	370 Nm	800 Nm	200 Nm

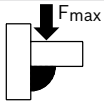
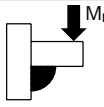
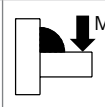
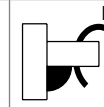


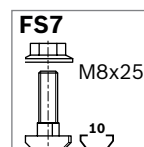
43x42	Slot	ESD		No.	FS
Set (standard)	10 / 10		1	3 842 352 009	2xFS7
Bracket (standard)	10		100	3 842 348 526	

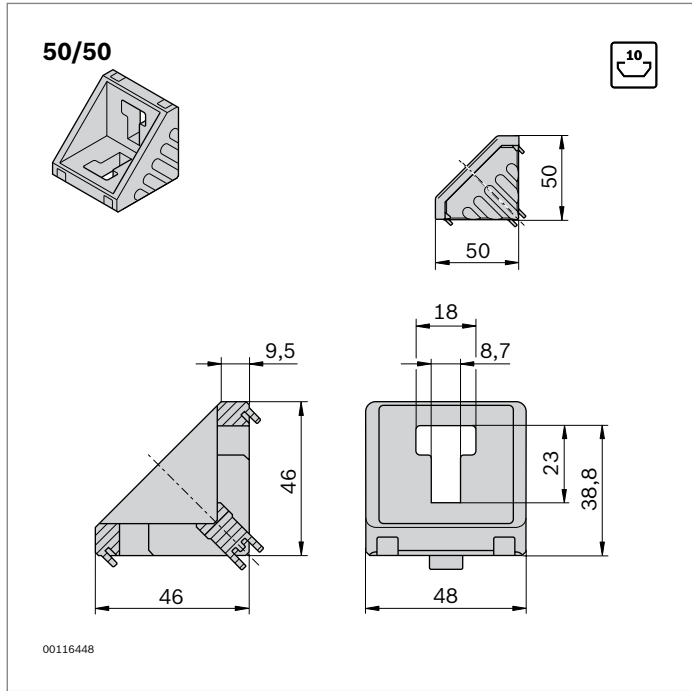
Material: Bracket: Die-cast aluminum

Fastening material: steel; galvanized

Scope of delivery: set incl. fastening material (FS)

Type				
43x42	2000 N	-	160 Nm	-

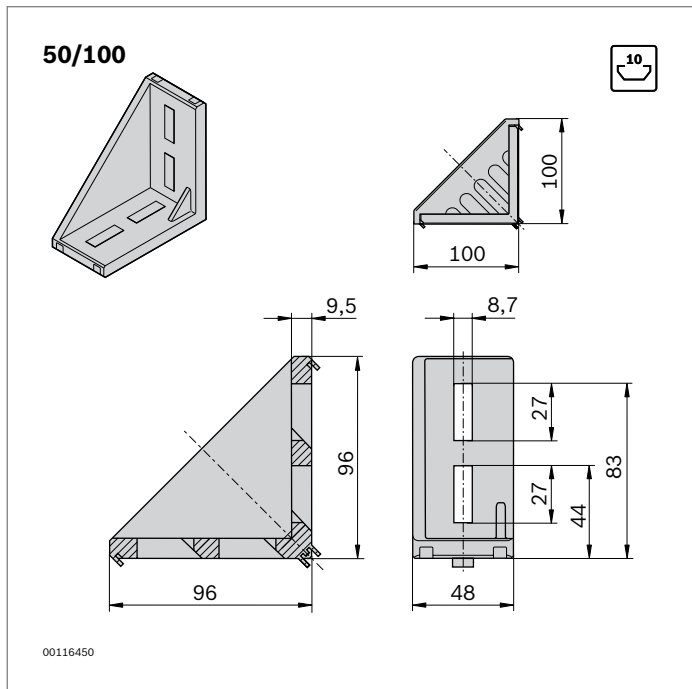
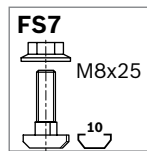




50/50	Slot	ESD		No.	FS
Set (standard)	10 / 10		1	3 842 530 259	2xFS7
Bracket (standard)	10		20	3 842 530 381	
Cover cap, signal gray			20	3 842 548 870	
Cover cap, black			20	3 842 548 871	

Material: Bracket: Diecast aluminum, vibratory ground
 Cover cap: PP
 Fastening material: steel; galvanized
 Scope of delivery: set incl. fastening material (FS)

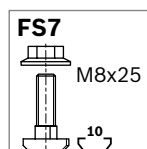
Type				
50/50	4000 N	125 Nm	250 Nm	38 Nm

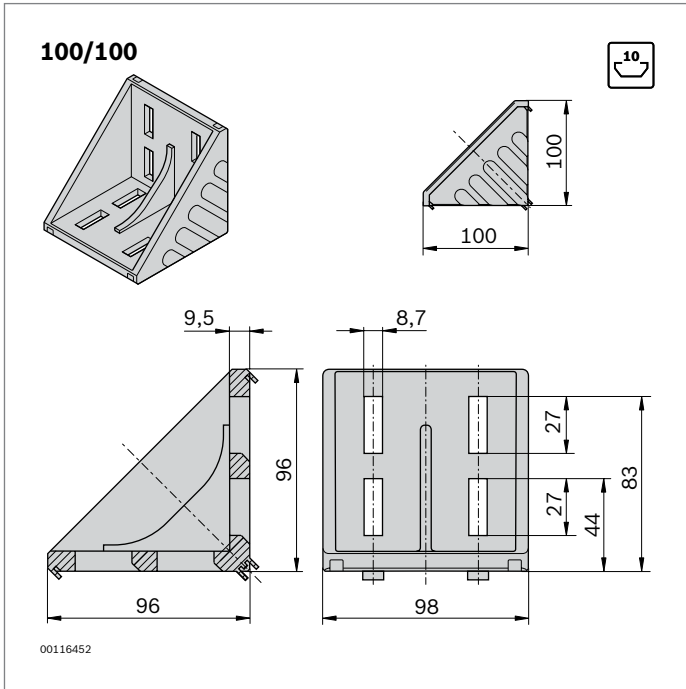


50/100	Slot	ESD		No.	FS
Set (standard)	10 / 10		1	3 842 530 260	4xFS7
Bracket (standard)	10		20	3 842 530 382	
Cover cap, signal gray			20	3 842 548 872	
Cover cap, black			20	3 842 548 873	

Material: Bracket: Diecast aluminum, vibratory ground
 Cover cap: PP
 Fastening material: steel; galvanized
 Scope of delivery: set incl. fastening material (FS)

Type				
50/100	7500 N	300 Nm	600 Nm	73 Nm





100/100	Slot	ESD	No.	FS
Set (standard)	10 / 10		1 3 842 530 361	8xFS7
Bracket (standard)	10		20 3 842 530 460	
Cover cap, signal gray			20 3 842 548 874	
Cover cap, black			20 3 842 548 875	

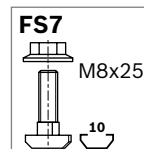
Material: Bracket: Diecast aluminum, vibratory ground

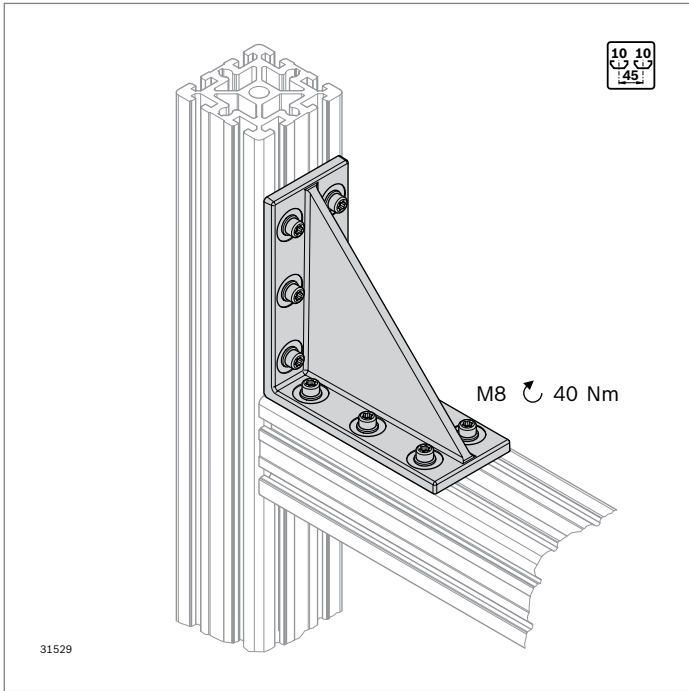
Cover cap: PP

Fastening material: steel; galvanized

Scope of delivery: set incl. fastening material (FS)

Type				
100/100	15000 N	550 Nm	1100 Nm	480 Nm



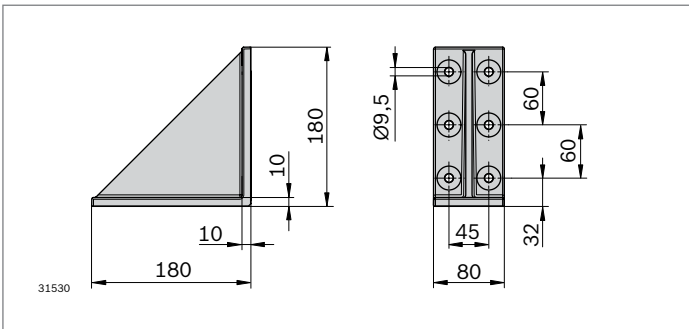


Heavy-duty connector 180x180 dynamic load



- ▶ Heavy-duty connector for reliable absorption of high forces
- ▶ Can be used for both static and dynamic forces
- ▶ Connection possible in any position
- ▶ Profile finishing: not required
- ▶ Calculation program for static and dynamic forces included in MTpro planning software
- ▶ Focus profile: 90x90, 90x180, 90x360

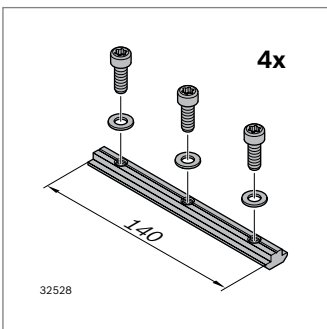
Required accessories:
Mounting kit



180/180	Slot	ESD	No.
	10		3 842 555 616

Material: Galvanized cast iron
Scope of delivery: Bracket

Type				
180/180	30000 N	5600 Nm	5600 Nm	1400 Nm



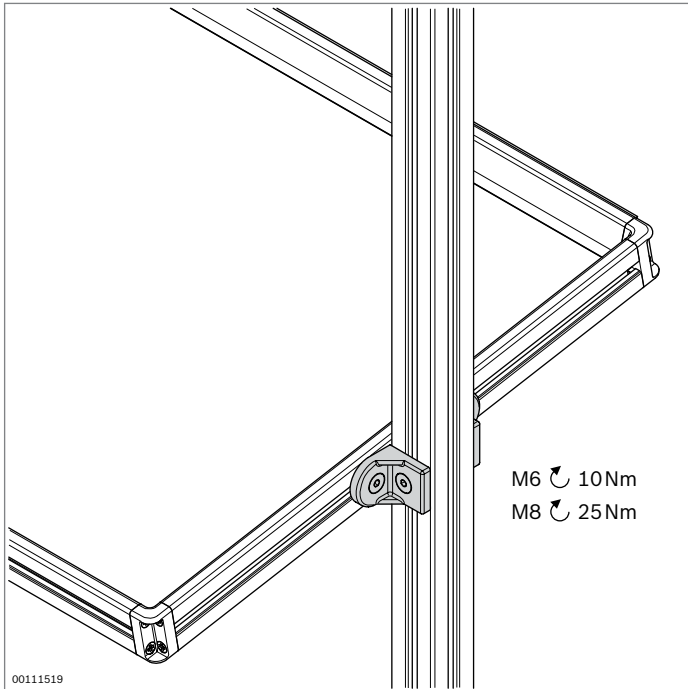
Mounting kit

- ▶ For connecting a heavy-duty angle to a profile
- ▶ Set consists of 4 sliding blocks and 12 screws with washers

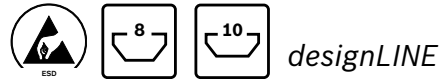
Mounting kit	Slot	M	ESD		No.
	10	8		Set	3 842 548 955

Material: Screws: steel; galvanized
Sliding block: steel; galvanized
Scope of delivery: 4 x sliding blocks, 12 x washers,
12 x screws M8 10.9 microencapsulated

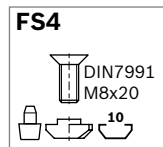
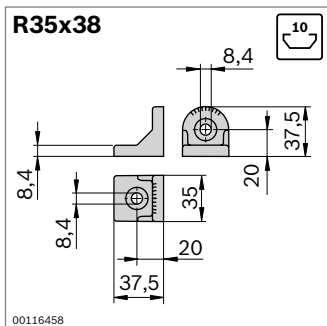
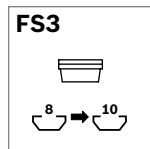
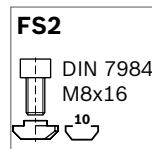
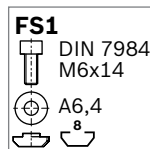
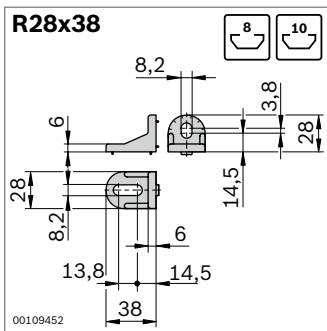
Slot	
10 (M8)	6000 ... 18000 N



Bracket R



- ▶ For connecting profiles at any angle
- ▶ No protruding edges due to rounding of bracket
- ▶ Brackets with centering lugs for rapid, precise assembly with protection against turning
- ▶ Centering lugs can be easily broken off for assembly on plates or at right angles to the slot
- ▶ *designLINE* version with special silver paint (RAL 9006) for an attractive, high-quality design
- ▶ Profile finishing: not required



R28x38	Slot	ESD	No.	FS
Set (standard)	8 / 10	⚠	1	3 842 515 547 FS1, FS2, 2xFS3
	10 / 10	⚠	1	3 842 521 580 2xFS2, 4xFS3
<i>designLINE</i> set	8 / 10	⚠	1	3 842 538 703 FS1, FS2, 2xFS3
	10 / 10	⚠	1	3 842 538 704 2xFS2, 4xFS3
Bracket (standard)	8, 10	⚠	100	3 842 515 473

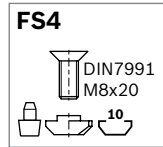
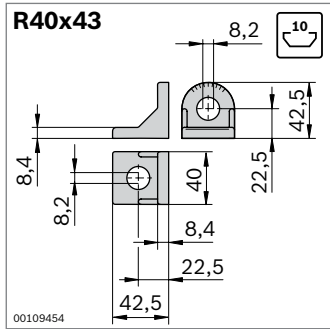
Material: Bracket: diecast zinc
*designLINE*bracket: painted (RAL 9006)
Adapter: PA; black
Fastening material: steel; galvanized

Scope of delivery: set incl. fastening material (FS)

R35x38	Slot	ESD	No.	FS
Set (standard)	10 / 10	⚠	1	3 842 532 274 2xFS4
<i>designLINE</i> set	10 / 10	⚠	1	3 842 538 705 2xFS4
Bracket (standard)	10	⚠	100	3 842 529 020

Material: Bracket: Die-cast aluminum
*designLINE*bracket: painted (RAL 9006)
Centering bolts: PA6, black
Fastening material: steel; galvanized

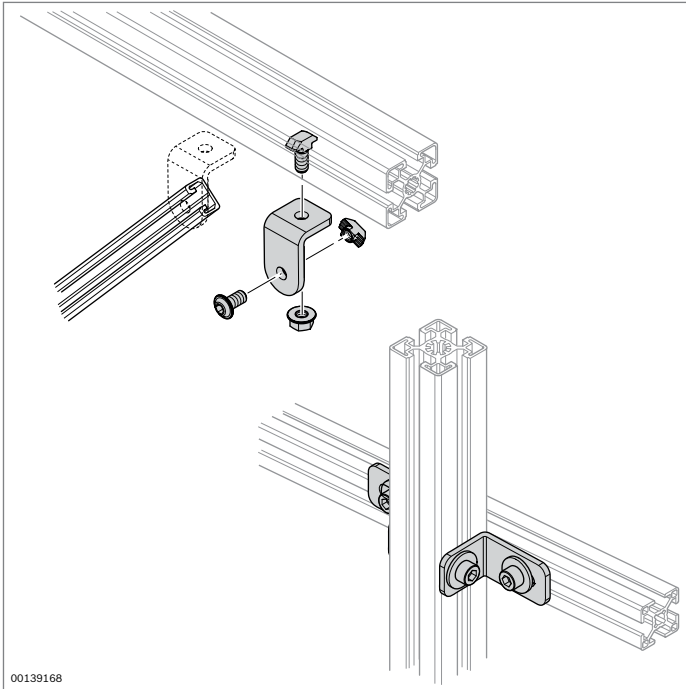
Scope of delivery: set incl. fastening material (FS)



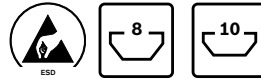
R40x43	Slot	ESD		No.	FS
Set (standard)	10 / 10		1	3 842 518 424	2xFS4
<i>designLINE</i> set	10 / 10		1	3 842 538 706	2xFS4
Bracket (standard)	10		100	3 842 504 760	

Material: Bracket: diecast zinc
designLINE bracket: painted (RAL 9006)
 Centering bolts: PA6, black
 Fastening material: steel; galvanized

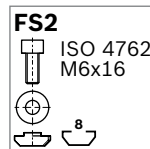
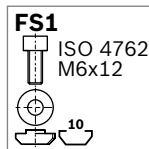
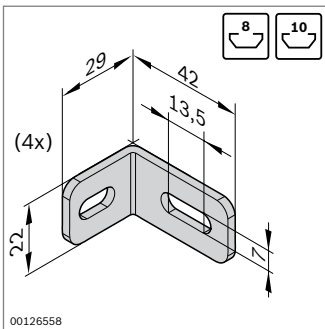
Scope of delivery: set incl. fastening material (FS)



Steel bracket

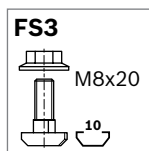
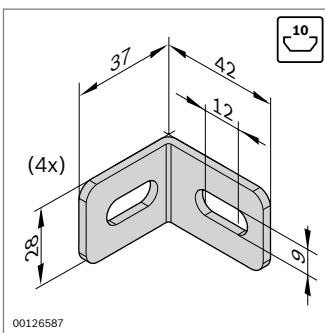


- ▶ Steel bracket without centering lugs for fastening at any angle
- ▶ Profile finishing: not required



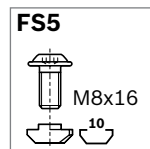
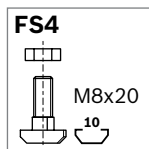
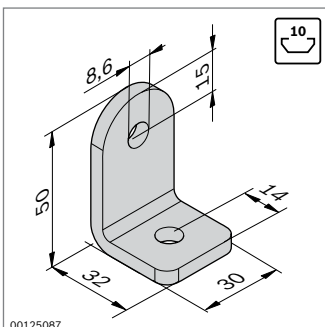
Bracket set	Slot	ESD	No.	FS
	8 / 10		4	3 842 537 862 4xFS1, 4xFS2

Material: steel; galvanized
Fastening material: steel; galvanized
Scope of delivery: set incl. fastening material (FS)



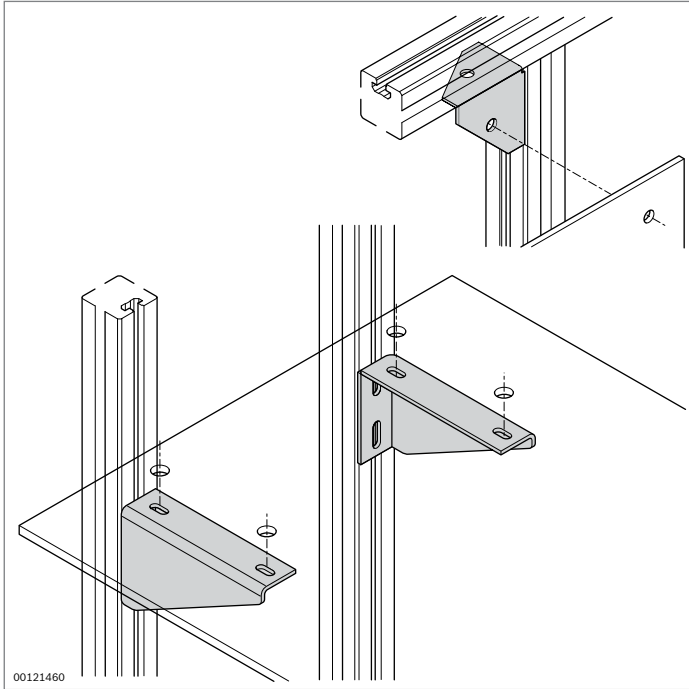
Bracket set	Slot	ESD	No.	FS
	10 / 10		4	3 842 537 861 8xFS3

Material: steel; galvanized
Fastening material: steel; galvanized
Scope of delivery: set incl. fastening material (FS)



Bracket set	Slot	ESD	No.	FS
	10 / 10		20	3 842 536 729 FS4, FS5

Material: steel; galvanized
Fastening material: steel; galvanized
Scope of delivery: set incl. fastening material (FS)



Metal bracket Supporting bracket

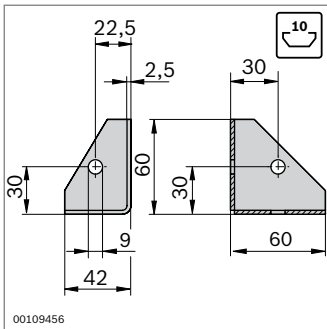


Metal bracket

- ▶ Metal bracket for right-angled profile connections
- ▶ Surface elements can be screwed into the stiffening fin hole
- ▶ Profile finishing: not required

Supporting bracket

- ▶ Supporting bracket for fastening surface elements to profiles, e.g. for shelves
- ▶ Profile finishing: not required

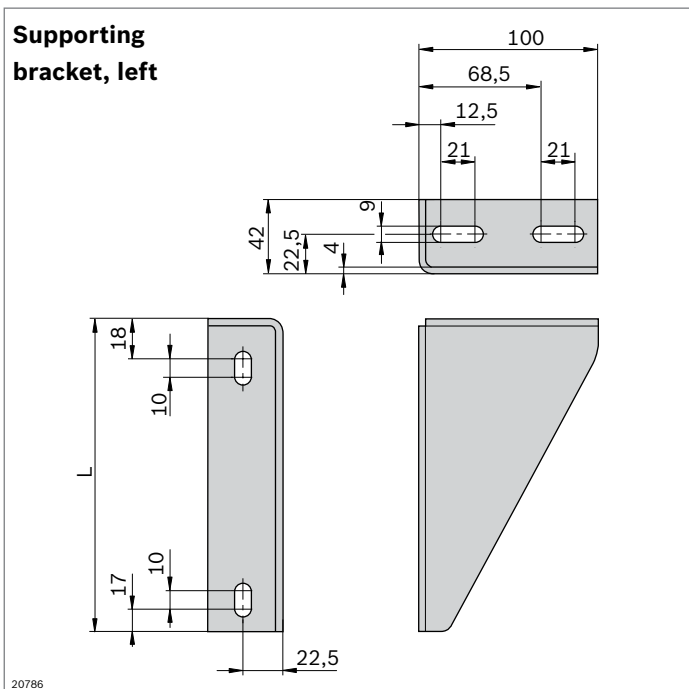


Metal bracket	ESD	No.
	20	3 842 146 813

Material: sheet steel; galvanized

Required accessories:

- ▶ T-bolt M8x20, 10 mm slot, **3 842 528 715** (p. 3-6)
- ▶ Flange nut M8, **3 842 345 081** (p. 3-6)

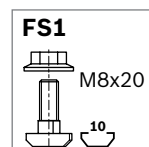


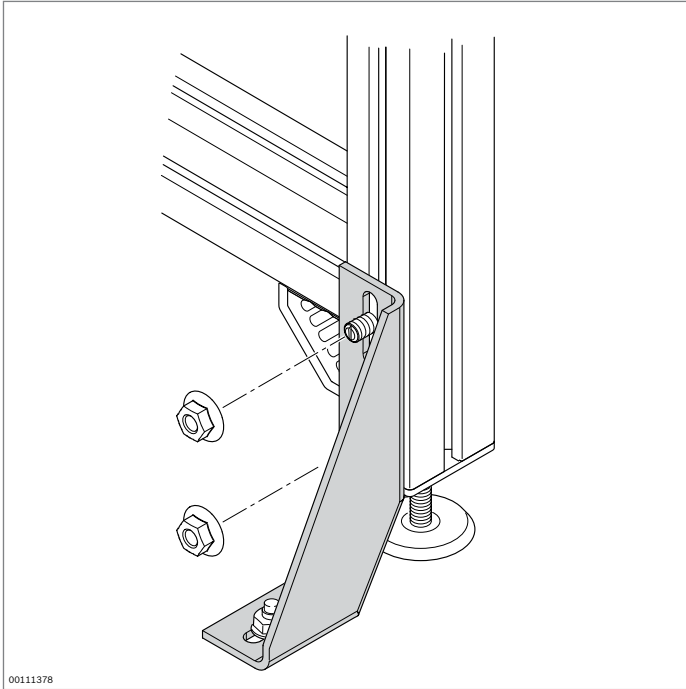
Supporting bracket	L (mm)	ESD	No.	FS
left	255	20	3 842 536 119	2xFS1
	335	20	3 842 536 121	2xFS1
	415	20	3 842 536 123	2xFS1
	495	20	3 842 536 125	2xFS1
right	255	20	3 842 536 120	2xFS1
	335	20	3 842 536 122	2xFS1
	415	20	3 842 536 124	2xFS1
	495	20	3 842 536 126	2xFS1

Material: sheet steel; powder-coated, RAL 7037

Fastening material: steel; galvanized

Scope of delivery: incl. fastening material (FS)





00111378

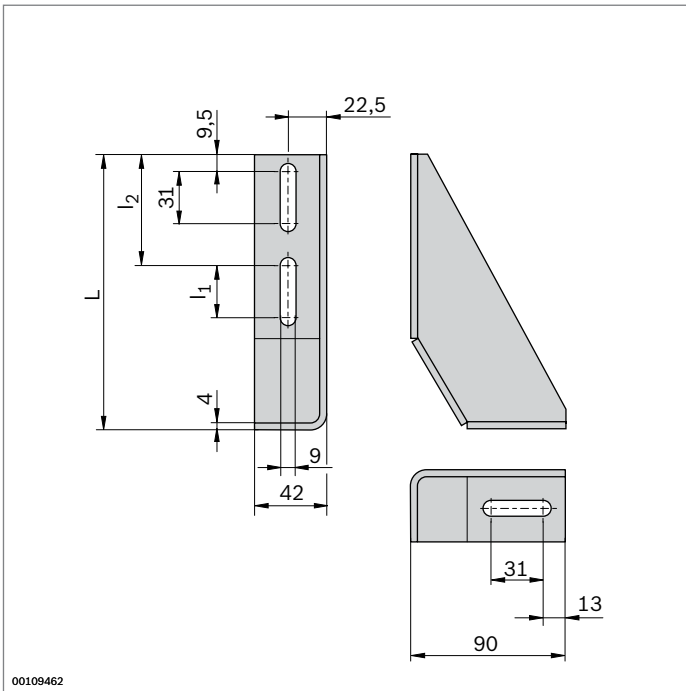
Foundation bracket



- ▶ Foundation bracket for securing frames to the floor
- ▶ The drilled hole for the floor dowel can be made without removing the foundation bracket
- ▶ Profile finishing: not required

Required accessories:

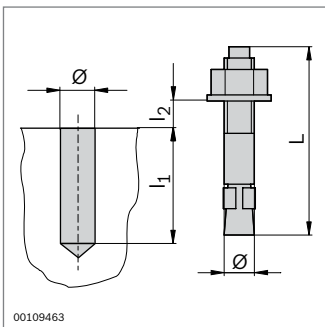
- ▶ T-bolt M8x20, 10 mm slot, **3 842 528 715** (p. 3-6)
- ▶ Flange nut M8, **3 842 345 081** (p. 3-6)
- ▶ Floor dowel



00109462

Foundation bracket	L (mm)	l ₁ (mm)	l ₂ (mm)		No.
	160	31	64.5	20	3 842 146 815
	210	91	54.5	20	3 842 146 848

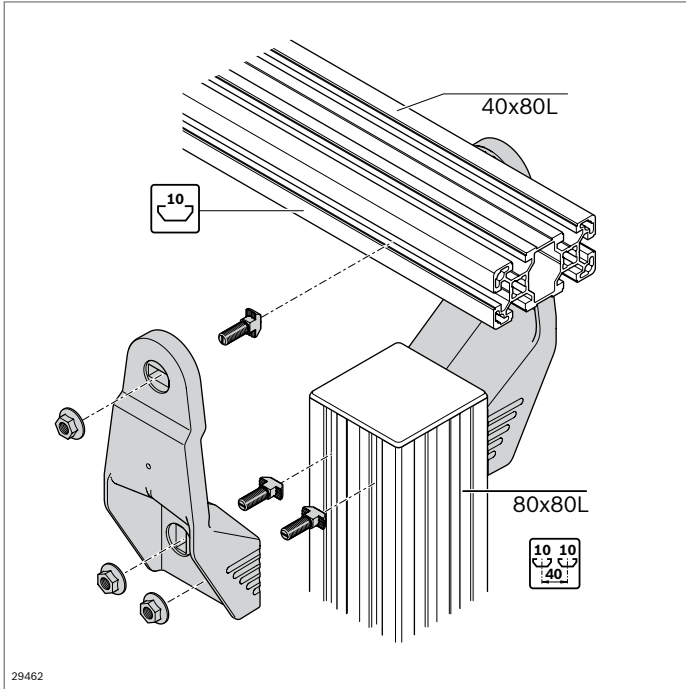
Material: sheet steel; galvanized



00109463

Floor dowel	Ø	L (mm)	l ₁ (mm)	l _{2 max} (mm)		No.
	8	80	65	15	100	3 842 526 560

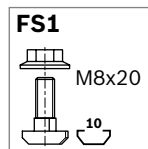
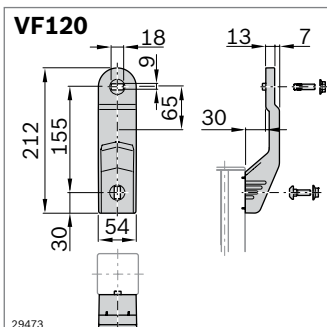
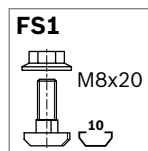
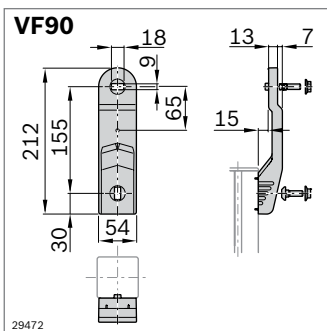
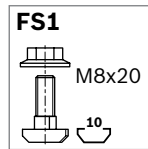
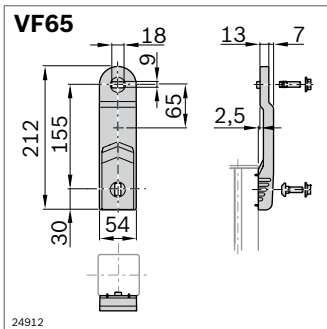
Material: steel; galvanized



Holder AL



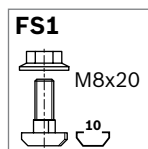
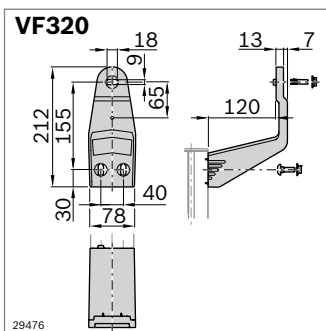
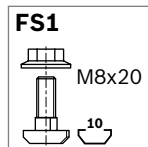
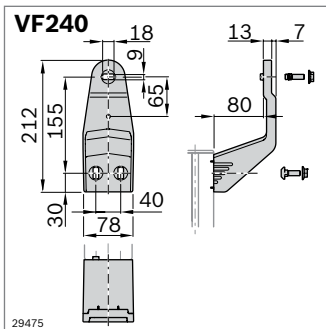
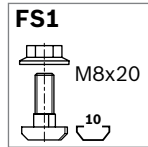
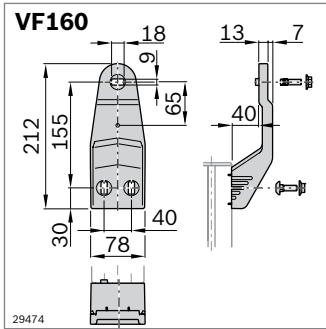
- ▶ For connecting profiles at right-angles to each other and with defined spacing, e.g. for floor supports made of 80x80L or 60x60 profiles
- ▶ Longitudinal connection possible in all profiles with 10 mm slot
- ▶ Transverse connection possible with 40 mm slot spacing
- ▶ Profile finishing: not required



Holder	b (mm)	A (mm)	No.	FS
VFplus 65	65	2.5	Set 3 842 546 625	8xFS1
Material: Holder: diecast aluminum; powder-coated (RAL 9006) Fastening material: steel; galvanized				
Scope of delivery: 2 x holder, fastening material (FS)				

Holder	b (mm)	A (mm)	No.	FS
VFplus 90	90	15	Set 3 842 546 626	8xFS1
Material: Holder: diecast aluminum; powder-coated (RAL 9006) Fastening material: steel; galvanized				
Scope of delivery: 2 x holder, fastening material (FS)				

Holder	b (mm)	A (mm)	No.	FS
VFplus 120	120	30	Set 3 842 546 627	8xFS1
Material: Holder: diecast aluminum; powder-coated (RAL 9006) Fastening material: steel; galvanized				
Scope of delivery: 2 x holder, fastening material (FS)				



Holder	b (mm)	A (mm)		No.	FS
VFplus 160	160	40	Set	3 842 546 628	8xFS1

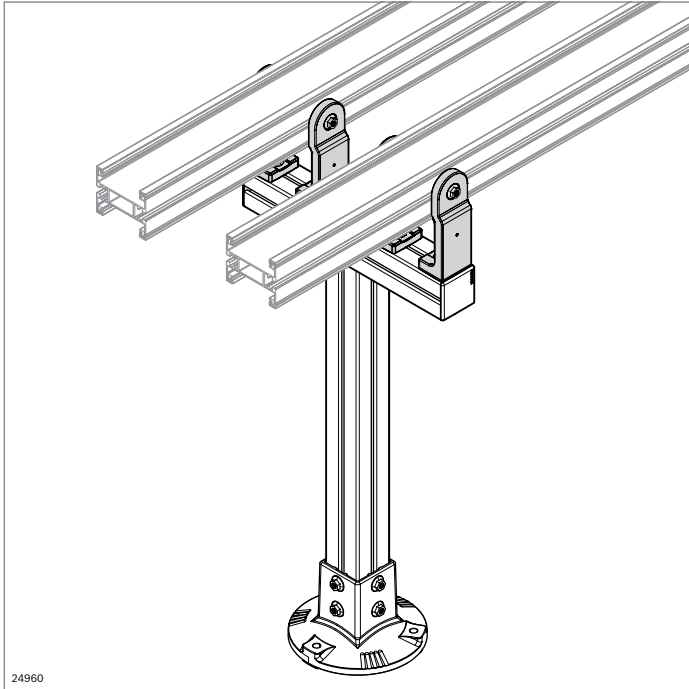
Material: Holder: diecast aluminum; powder-coated (RAL 9006) Fastening material: steel; galvanized
 Scope of delivery: 2 x holder, fastening material (FS)

Holder	b (mm)	A (mm)		No.	FS
VFplus 240	240	80	Set	3 842 546 629	8xFS1

Material: Holder: diecast aluminum; powder-coated (RAL 9006) Fastening material: steel; galvanized
 Scope of delivery: 2 x holder, fastening material (FS)

Holder	b (mm)	A (mm)		No.	FS
VFplus 320	320	120	Set	3 842 546 630	8xFS1

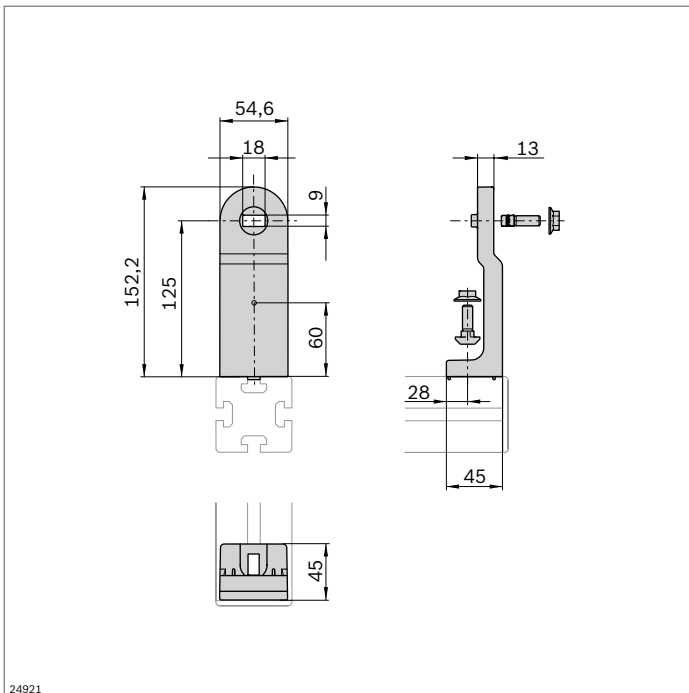
Material: Holder: diecast aluminum; powder-coated (RAL 9006)
 Fastening material: steel; galvanized
 Scope of delivery: 2 x holder, fastening material (FS)




Supporting bracket AL



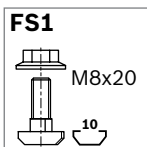
- ▶ Supporting bracket for connecting two profiles with defined spacing (approx. 2-3 m)
- ▶ Profile finishing: not required
- ▶ Centering lugs make centering the supporting brackets in the slot easy
- ▶ If the centering lugs are removed, the supporting bracket can also be used for upward and downward sloping sections (up to approx. 45° depending on the return chain)
- ▶ Very easy to assemble due to push-in screwed connection
- ▶ Easy-clean design with self-draining surfaces

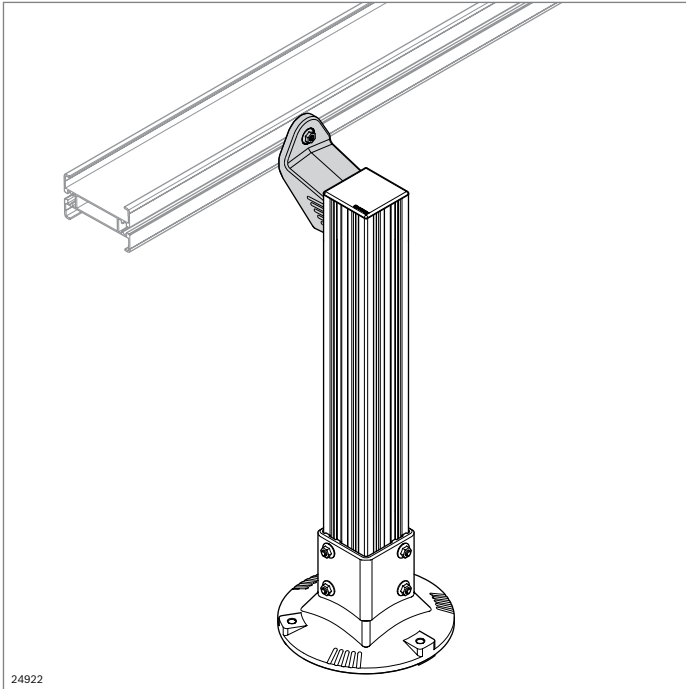


Supporting bracket VFplus AL		No.	FS
	Set	3 842 546 632	6xFS1

Material: Holder: diecast aluminum, silver
Fastening material: steel; galvanized

Scope of delivery: incl. fastening material (FS)



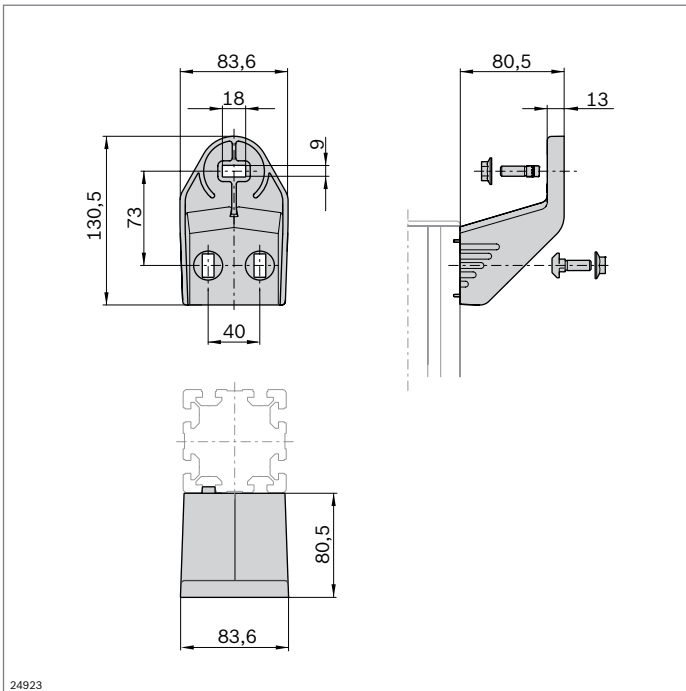


24922

Supporting bracket AL, lateral



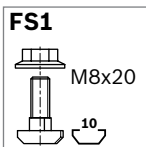
- ▶ Supporting bracket for connecting two profiles with defined spacing (approx. 2-3 m)
- ▶ Profile finishing: not required
- ▶ Centering lugs make centering the supporting brackets in the slot easy
- ▶ If the centering lugs are removed, the supporting bracket can also be used for upward and downward sloping sections (up to approx. 45° depending on the return chain)
- ▶ Designed for attachment to a vertical 80x80 strut profile

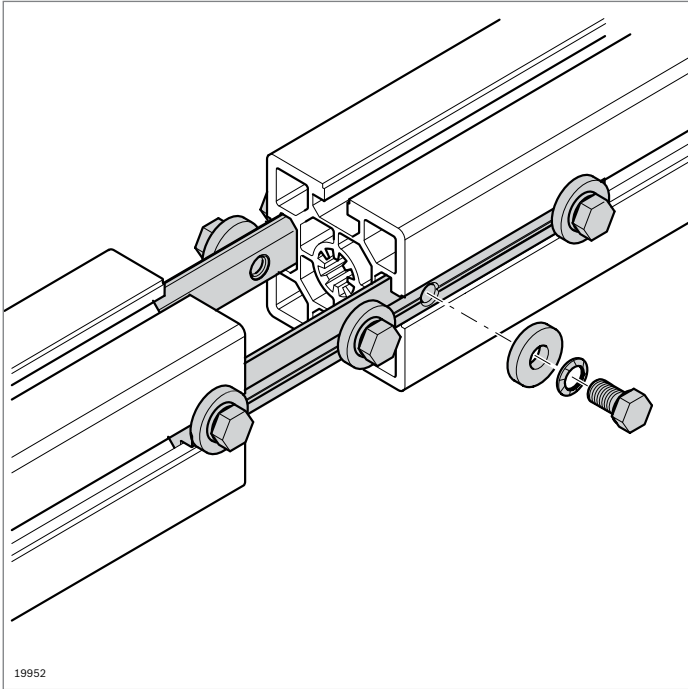


24923

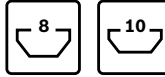
Supporting bracket VFplus lateral AL	No.	FS
Set	3 842 547 461	6xFS1

Material: Holder: diecast aluminum; powder-coated (RAL 9006)
 Fastening material: steel; galvanized
 Scope of delivery: incl. fastening material (FS)

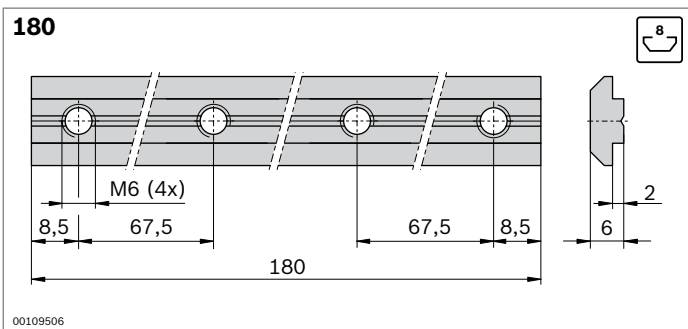
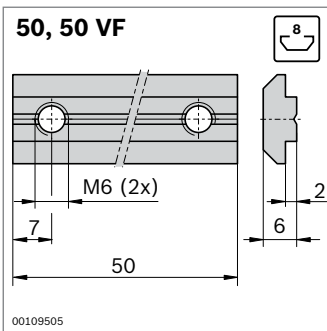




Profile connector



- ▶ Profile connector for the end-face connection of any profiles
- ▶ For an especially strong connection: one profile connector per slot
- ▶ Profile finishing: not required



Profile connector	⌚ (Nm)	Slot	📦	No.	FS
50 VF	10	8	10	3 842 536 787	2xFS2
50	8,5	8	1	3 842 518 427	2xFS1

Material: galvanized steel, fastening material: steel;
galvanized

Scope of delivery: incl. fastening material (FS)

FS1



FS2

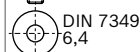


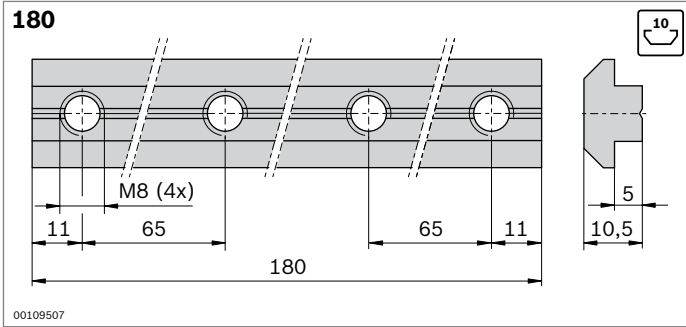
Profile connector	⌚ (Nm)	Slot	No.	FS
180	10	8	3 842 521 216	4xFS3

Material: galvanized steel, fastening material: steel;
galvanized

Scope of delivery: incl. fastening material (FS)

FS3

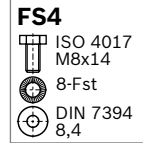




Profile connector	⌚ (Nm)	Slot	No.	FS
180	25	10	3 842 528 746	4xFS4

Material: galvanized steel, fastening material: steel; galvanized

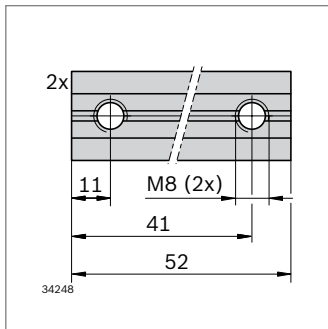
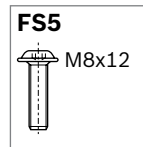
Scope of delivery: incl. fastening material (FS)

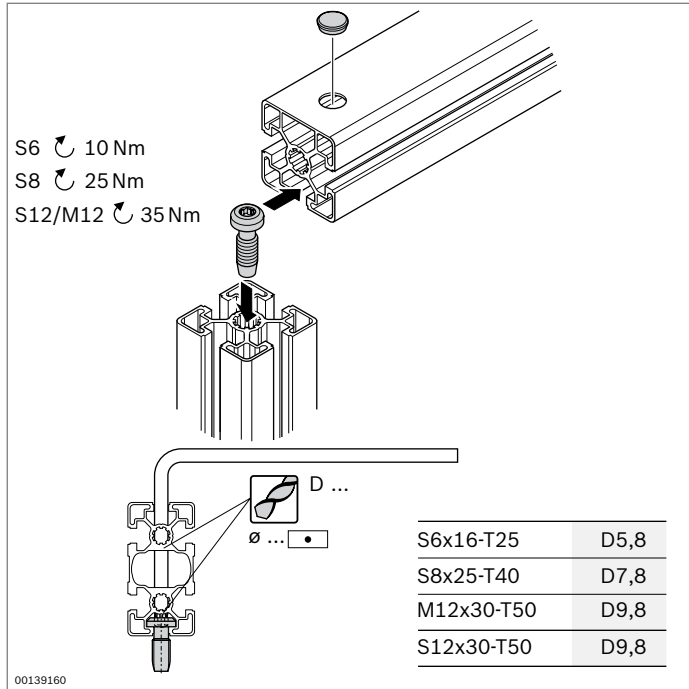


Connection kit	⌚ (Nm)	Slot	Set	No.	FS
	18	10	1	3 842 529 881	4xFS5

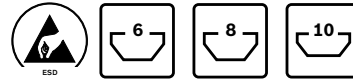
Material: galvanized steel, fastening material: steel; galvanized

Scope of delivery: Set (2 pieces) incl. fastening material





Central bolt, anti-torsion element, cover cap

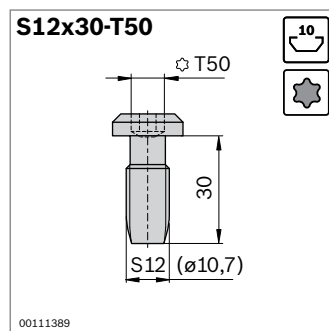
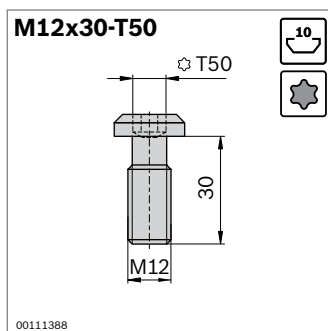
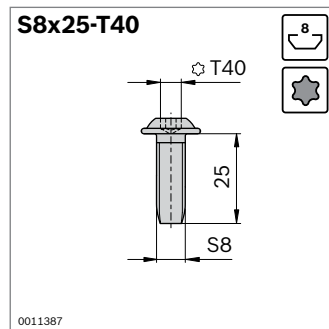
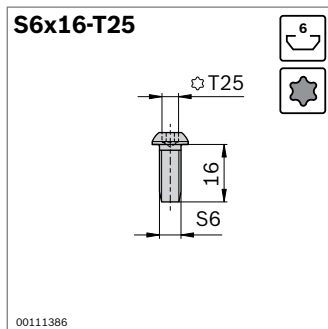


Central bolt

- ▶ Lowest-cost connecting element
- ▶ Self-tapping screw, can be mounted without profile finishing
- ▶ Profile finishing:
 - thread cutting for M12x30 screw
 - Through-hole for screwdriver/offset screwdriver

Tools:

Offset screwdriver (p. 14-6)



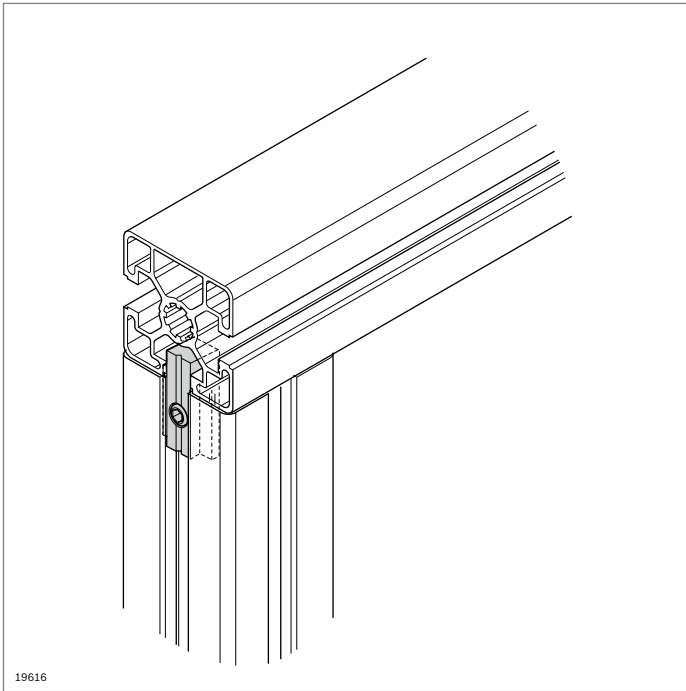
Central bolt	Slot	ESD	No.
S6x16-T25 (self-tapping)	6		100 3 842 528 593
S8x25-T40 (self-tapping)	8		100 3 842 527 174

Material: steel; galvanized

Central bolt	Slot	ESD	No.
M12x30-T50	10		100 3 842 530 235
S12x30-T50 (self-tapping)	10		100 3 842 530 236

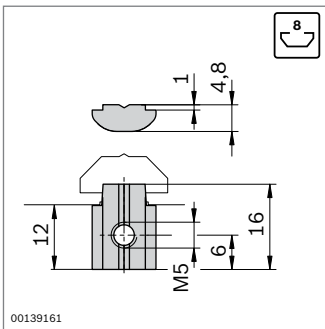
Material: steel; galvanized

Size		
S6	500 N	8 Nm
S8	800 N	43 Nm
S12	1300 N	80 Nm
M12	3000 N	80 Nm



Anti-torsion element


- ▶ Provides torsion resistance for profile connections with central bolts or quick connectors
- ▶ Subsequent installation in the connection possible



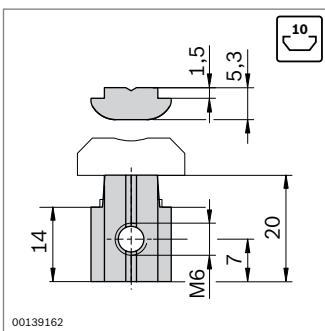
FS1




DIN 916
M5x8

Anti-torsion element	Slot		No.	FS
	8	10	3 842 530 325	FS1


Material: steel; galvanized
Fastening material: steel; galvanized



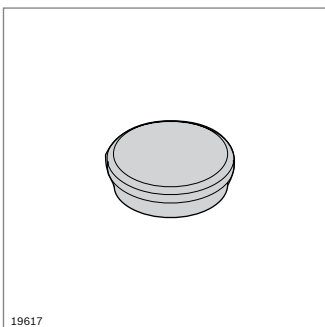
FS2



DIN 916
M6x12


Anti-torsion element	Slot		No.	FS
	10	10	3 842 530 326	FS2

Material: steel; galvanized
Fastening material: steel; galvanized

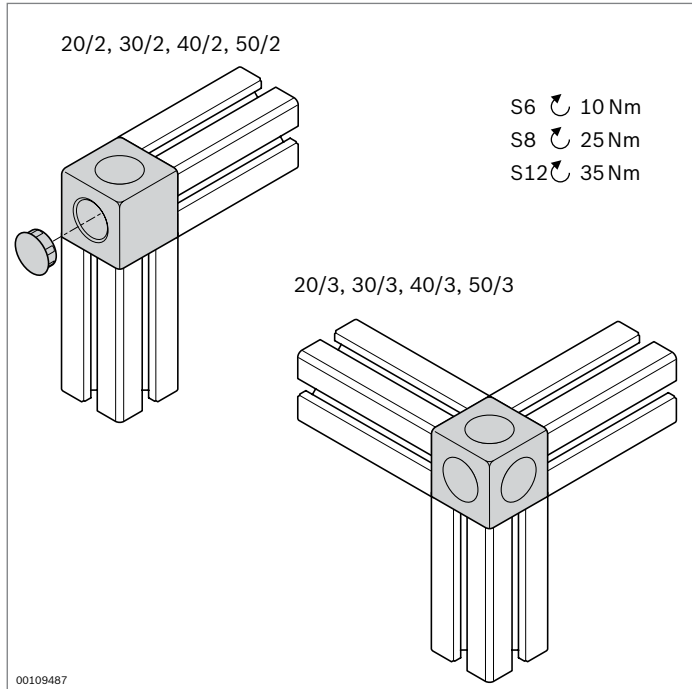


Cover cap

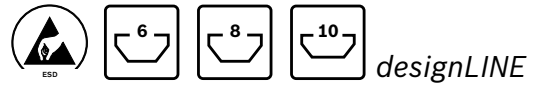
- ▶ For sealing through-holes in closed profiles

Cover cap	Ø		No.
	5.8	100	3 842 538 565
	7.8	100	3 842 538 566
	9.8	100	3 842 538 567

Material: PA, light gray RAL 7035

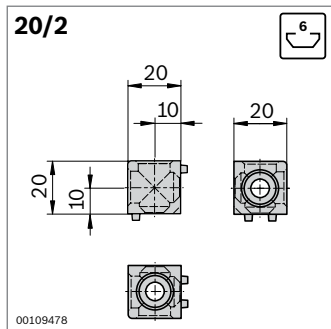


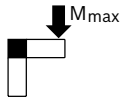
Cubic connector

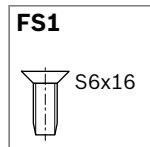








- ▶ For torsion-resistant corner connection of profiles with equal cross-sections
- ▶ *designLINE* version with special silver paint (RAL 9006) for an attractive, high-quality design
- ▶ Cover caps to cover the openings
- ▶ Screw fitting on profile with self-tapping screws
- ▶ Profile finishing: not required

Technical data (p. 19-8)



Type	 M _{max}
20/2	18 Nm

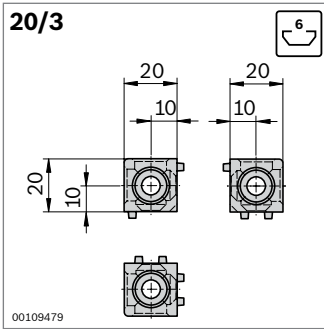


Cubic connector 20/2	Slot	ESD		No.	FS
Set (standard), signal gray	6	 *	1	3 842 549 858	2xFS1
Set <i>designLINE</i> , signal gray	6	 *	1	3 842 549 859	2xFS1
Cubic connector	6		20	3 842 523 875	
Cover cap	signal gray (PP)		100	3 842 548 700	
D12	black (PP)		100	3 842 548 704	
Countersunk screw S6x16	6		100	3 842 517 132	

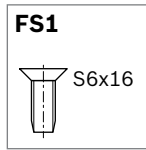
Material: Cubic connector: Die-cast aluminum
designLINE cubic connector: painted (RAL 9006)
 Fastening material: steel; galvanized

Scope of delivery: set incl. fastening material (FS), caps

Cubic connector creates conductive connection, but the cover caps included in the set are not ESD-compatible.



Type	
20/3	23 Nm

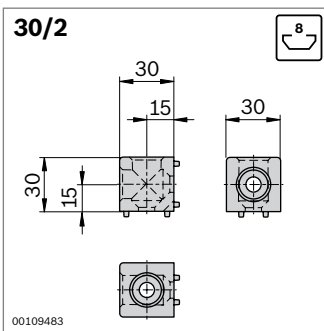


Cubic connector 20/3	Slot	ESD	No.	FS
Set (standard), signal gray	6	⚡*	1 3 842 549 860	3xFS1
Set <i>designLINE</i> , signal gray	6	⚡*	1 3 842 549 861	3xFS1
Cubic connector	6	⚡	20 3 842 523 872	
Cover cap	signal gray (PP)		100 3 842 548 700	
D12	black (PP)	⚡	100 3 842 548 704	
Countersunk screw S6x16	6	⚡	100 3 842 517 132	

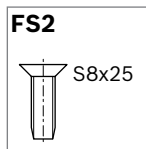
Material: Cubic connector: Die-cast aluminum
designLINE cubic connector: painted (RAL 9006)
 Fastening material: steel; galvanized

Scope of delivery: set incl. fastening material (FS), caps

Cubic connector creates conductive connection, but the cover caps included in the set are not ESD-compatible.



Type	
30/2	80 Nm

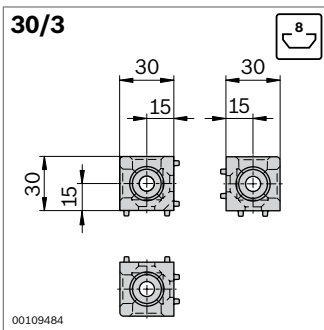


Cubic connector 30/2	Slot	ESD	No.	FS
Set (standard), signal gray	8	⚡*	1 3 842 549 862	2xFS2
Set <i>designLINE</i> , signal gray	8	⚡*	1 3 842 549 863	2xFS2
Cubic connector	8	⚡	20 3 842 523 876	
Cover cap	signal gray (PP)		100 3 842 548 701	
D18	black (PP)	⚡	100 3 842 548 705	
Countersunk screw S8x25	8	⚡	100 3 842 517 543	

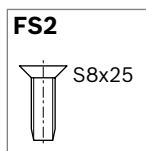
Material: Cubic connector: Die-cast aluminum
designLINE cubic connector: painted (RAL 9006)
 Fastening material: steel; galvanized

Scope of delivery: set incl. fastening material (FS), caps

Cubic connector creates conductive connection, but the cover caps included in the set are not ESD-compatible.



Type	
30/3	85 Nm

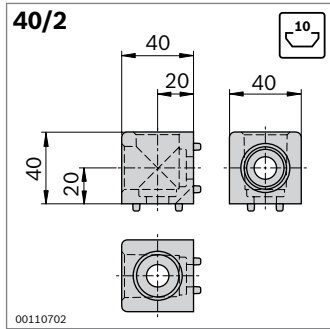


Cubic connector 30/3	Slot	ESD	No.	FS
Set (standard), signal gray	8	⚡*	1 3 842 549 864	3xFS2
Set <i>designLINE</i> , signal gray	8	⚡*	1 3 842 549 865	3xFS2
Cubic connector	8	⚡	20 3 842 523 873	
Cover cap	signal gray (PP)		100 3 842 548 701	
D18	black (PP)	⚡	100 3 842 548 705	
Countersunk screw S8x25	8	⚡	100 3 842 517 543	

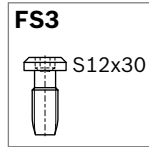
Material: Cubic connector: Die-cast aluminum
designLINE cubic connector: painted (RAL 9006)
 Fastening material: steel; galvanized

Scope of delivery: set incl. fastening material (FS), caps

Cubic connector creates conductive connection, but the cover caps included in the set are not ESD-compatible.



Type	
40/2	60 Nm

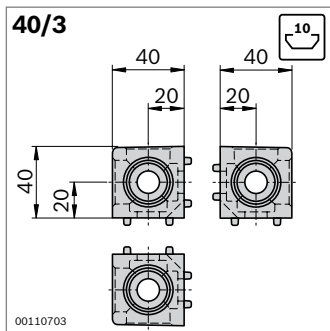


Cubic connector 40/2	Slot	ESD	No.	FS	
Set (standard), signal gray	10	⚡*	1	3 842 549 866	2xFS3
Set <i>designLINE</i> , signal gray	10	⚡*	1	3 842 549 867	2xFS3
Cubic connector	10	⚡	20	3 842 529 010	
Cover cap	signal gray (PP)		100	3 842 548 702	
D24	black (PP)	⚡	100	3 842 548 706	
Screw S12x30	10	⚡	100	3 842 530 236	

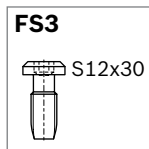
Material: Cubic connector: Die-cast aluminum
designLINE cubic connector: painted (RAL 9006)
 Fastening material: steel; galvanized

Scope of delivery: set incl. fastening material (FS), caps

Cubic connector creates conductive connection, but the cover caps included in the set are not ESD-compatible.



Type	
40/3	70 Nm

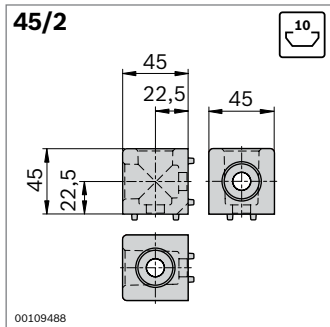


Cubic connector 40/3	Slot	ESD	No.	FS	
Set (standard), signal gray	10	⚡*	1	3 842 549 868	3xFS3
Set <i>designLINE</i> , signal gray	10	⚡*	1	3 842 549 869	3xFS3
Cubic connector	10	⚡	20	3 842 529 011	
Cover cap	signal gray (PP)		100	3 842 548 702	
D24	black (PP)	⚡	100	3 842 548 706	
Screw S12x30	10	⚡	100	3 842 530 236	

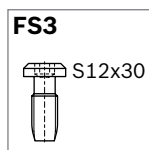
Material: Cubic connector: Die-cast aluminum
designLINE cubic connector: painted (RAL 9006)
 Fastening material: steel; galvanized

Scope of delivery: set incl. fastening material (FS), caps

Cubic connector creates conductive connection, but the cover caps included in the set are not ESD-compatible.



Type	
45/2	45x45L 150 Nm
	45x45 200 Nm

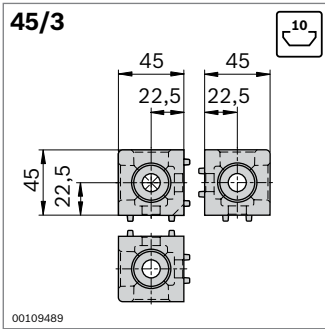


Cubic connector 45/2	Slot	ESD	No.	FS	
Set (standard), signal gray	10	⚡*	1	3 842 549 870	2xFS3
Set <i>designLINE</i> , signal gray	10	⚡*	1	3 842 549 871	2xFS3
Cubic connector	10	⚡	20	3 842 523 877	
Cover cap	signal gray (PP)		100	3 842 548 702	
D24	black (PP)	⚡	100	3 842 548 706	
Screw S12x30	10	⚡	100	3 842 530 236	

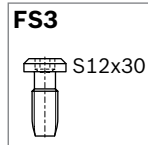
Material: Cubic connector: Die-cast aluminum
designLINE cubic connector: painted (RAL 9006)
 Fastening material: steel; galvanized

Scope of delivery: set incl. fastening material (FS), caps

Cubic connector creates conductive connection, but the cover caps included in the set are not ESD-compatible.



Type		
45/3	45x45L	170 Nm
	45x45	240 Nm

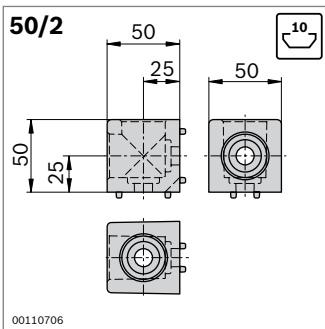


Cubic connector 45/3	Slot	ESD		No.	FS
Set (standard), signal gray	10		*	1	3 842 549 872 3xFS3
Set <i>designLINE</i> , signal gray	10		*	1	3 842 549 873 3xFS3
Cubic connector	10			20	3 842 523 874
Cover cap				100	3 842 548 702
D24				100	3 842 548 706
Screw S12x30	10			100	3 842 530 236

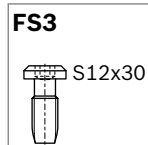
Material: Cubic connector: Die-cast aluminum
designLINE cubic connector: painted (RAL 9006)
 Fastening material: steel; galvanized

Scope of delivery: set incl. fastening material (FS), caps

Cubic connector creates conductive connection, but the cover caps included in the set are not ESD-compatible.



Type		
50/2		120 Nm

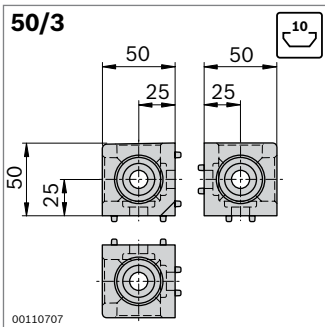


Cubic connector 50/2	Slot	ESD		No.	FS
Set (standard), signal gray	10		*	1	3 842 549 874 2xFS3
Cubic connector	10			20	3 842 529 012
Cover cap				100	3 842 548 703
D30				100	3 842 548 707
Screw S12x30	10			100	3 842 530 236

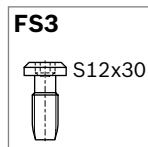
Material: Cubic connector: Die-cast aluminum
 Fastening material: steel; galvanized

Scope of delivery: set incl. fastening material (FS), caps

Cubic connector creates conductive connection, but the cover caps included in the set are not ESD-compatible.



Type		
50/3		140 Nm

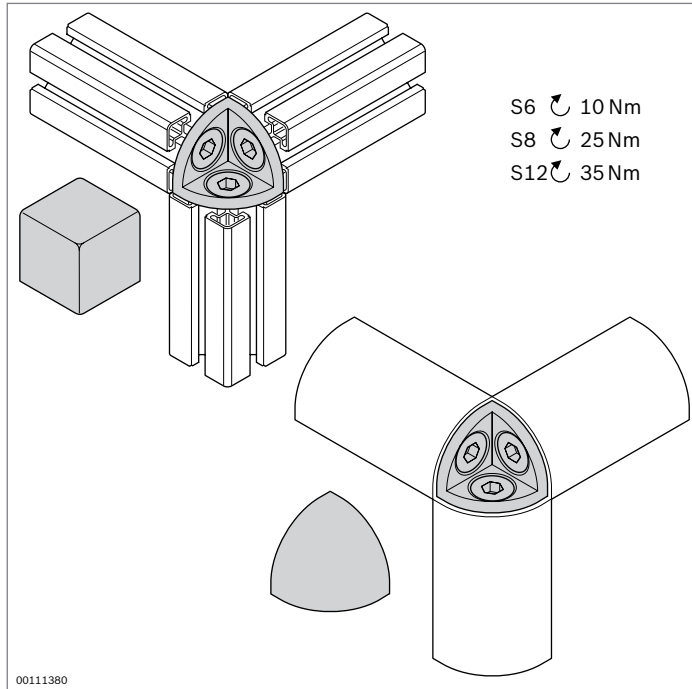


Cubic connector 50/3	Slot	ESD		No.	FS
Set (standard), signal gray	10		*	1	3 842 549 876 3xFS3
Cubic connector	10			20	3 842 529 013
Cover cap				100	3 842 548 703
D30				100	3 842 548 707
Screw S12x30	10			100	3 842 530 236

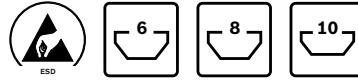
Material: Cubic connector: Die-cast aluminum
 Fastening material: steel; galvanized

Scope of delivery: set incl. fastening material (FS), caps

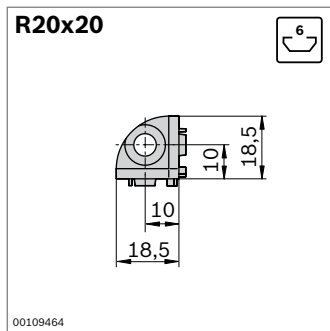
Cubic connector creates conductive connection, but the cover caps included in the set are not ESD-compatible.



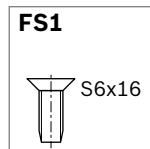
Corner bracket



- ▶ Corner bracket for corner connection of 3 square or half-round profiles with equal cross-sections
- ▶ Screw fastening on profile with self-tapping screws
- ▶ Spherical or cubic cover caps to provide protection from injury and to prevent soiling
- ▶ Profile finishing: not required



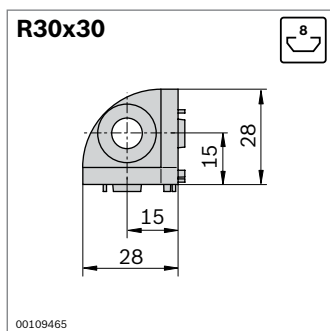
Type	
20/3	23 Nm



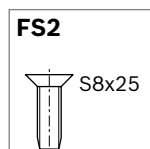
R20x20	Slot	ESD		No.	FS
Corner bracket	6		1	3 842 519 318	3xFS1
Cover cap K (ball)	signal gray (PP)		10	3 842 548 708	
	black (PP)		10	3 842 548 712	
Cover cap W (cube)	signal gray (PP)		10	3 842 548 716	
	black (PP)		10	3 842 548 720	

Material: Corner bracket: diecast zinc
Fastening material: steel; galvanized

Scope of delivery: incl. fastening material (FS)



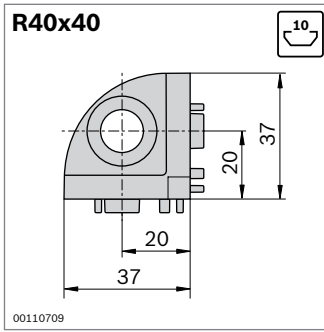
Type	
30/3	85 Nm



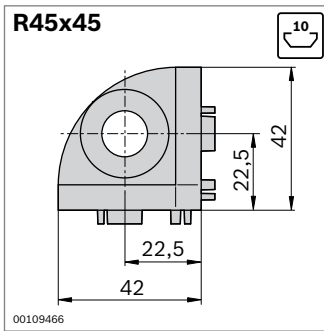
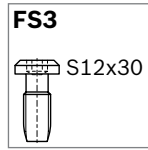
R30x30	Slot	ESD		No.	FS
Corner bracket	8		1	3 842 519 319	3xFS2
Cover cap K (ball)	signal gray (PP)		10	3 842 548 709	
	black (PP)		10	3 842 548 713	
Cover cap W (cube)	signal gray (PP)		10	3 842 548 717	
	black (PP)		10	3 842 548 721	

Material: Corner bracket: diecast zinc
Fastening material: steel; galvanized

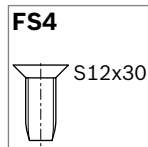
Scope of delivery: incl. fastening material (FS)



Type	
40/3	70 Nm



Type	
45/3	45x45L 170 Nm
	45x45 240 Nm

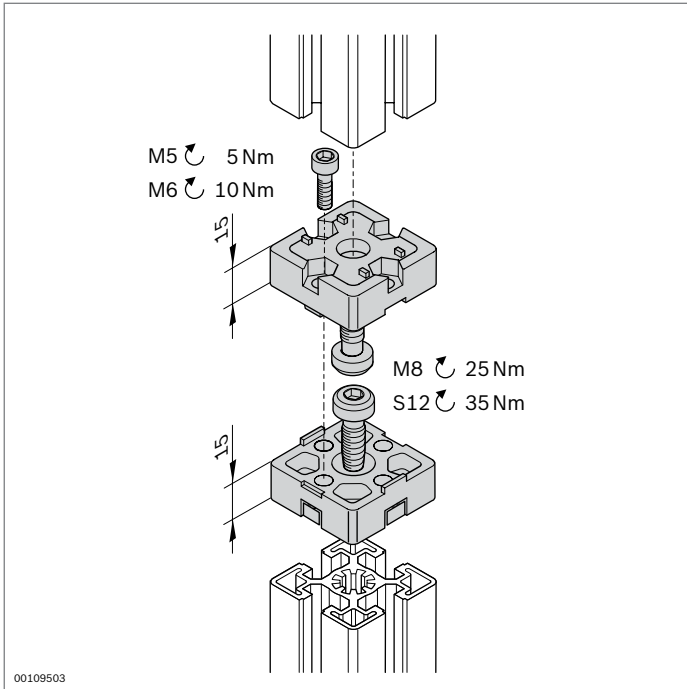


R40x40	Slot	ESD		No.	FS
Corner bracket	10			1	3 842 529 404 3xFS3
Cover cap K (ball)	signal gray (PP)			10	3 842 548 710
	black (PP)			10	3 842 548 714
Cover cap W (cube)	signal gray (PP)			10	3 842 548 718
	black (PP)			10	3 842 548 722

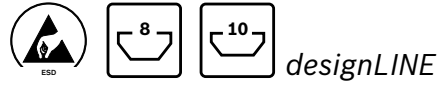
Material: Corner bracket: diecast zinc
Fastening material: steel; galvanized
Scope of delivery: incl. fastening material (FS)

R45x45	Slot	ESD		No.	FS
Corner bracket	10			1	3 842 519 321 3xFS4
Cover cap K (ball)	signal gray (PP)			10	3 842 548 711
	black (PP)			10	3 842 548 715
Cover cap W (cube)	signal gray (PP)			10	3 842 548 719
	black (PP)			10	3 842 548 723

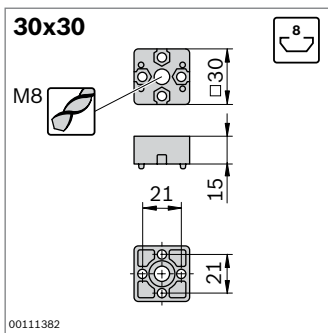
Material: Corner bracket: diecast zinc
Fastening material: steel; galvanized
Scope of delivery: incl. fastening material (FS)



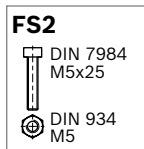
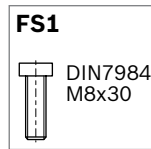
End connector



- ▶ For end-to-end profile connections
- ▶ *designLINE* version with special silver paint (RAL 9006) for an attractive, high-quality design
- ▶ Profile finishing:
 - 30x30: M8 thread cutting in central bores
 - 40x40, 45x45, 50x50: not required



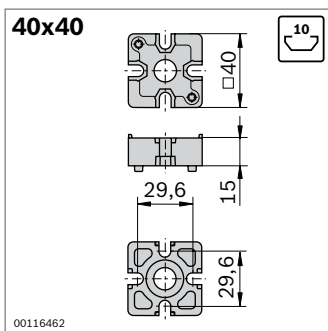
Type	
30x30	81 Nm



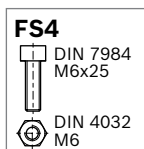
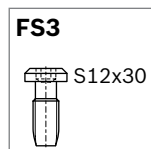
End connector	Slot	ESD	No.	FS
30x30 Set (standard)	8		3 842 526 003	2xFS1, 4xFS2
<i>designLINE set</i>	8		3 842 538 656	2xFS1, 4xFS2

Material: End connector: Die-cast aluminum
designLINE end connector: painted (RAL 9006)
 Fastening material: steel; galvanized

Scope of delivery: set incl. fastening material (FS)



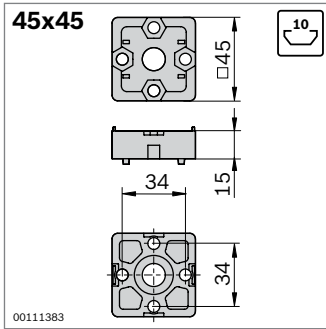
Type	
40x40	170 Nm



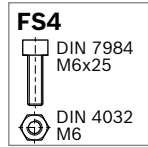
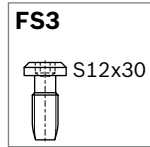
End connector	Slot	ESD	No.	FS
40x40 Set (standard)	10		3 842 532 196	2xFS3, 4xFS4
<i>designLINE set</i>	10		3 842 538 657	2xFS3, 4xFS4

Material: End connector: Die-cast aluminum
designLINE end connector: painted (RAL 9006)
 Fastening material: steel; galvanized

Scope of delivery: set incl. fastening material (FS)



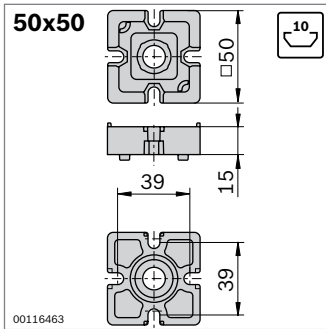
Type	
45x45	200 Nm



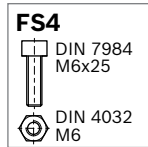
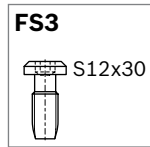
End connector	Slot	ESD No.	FS
45x45 Set (standard)	10		3 842 191 175 2xFS3, 4xFS4
<i>designLINE</i> set	10		3 842 538 658 2xFS3, 4xFS4

Material: End connector: diecast zinc
designLINE end connector: painted (RAL 9006)
Fastening material: steel; galvanized

Scope of delivery: set incl. fastening material (FS)



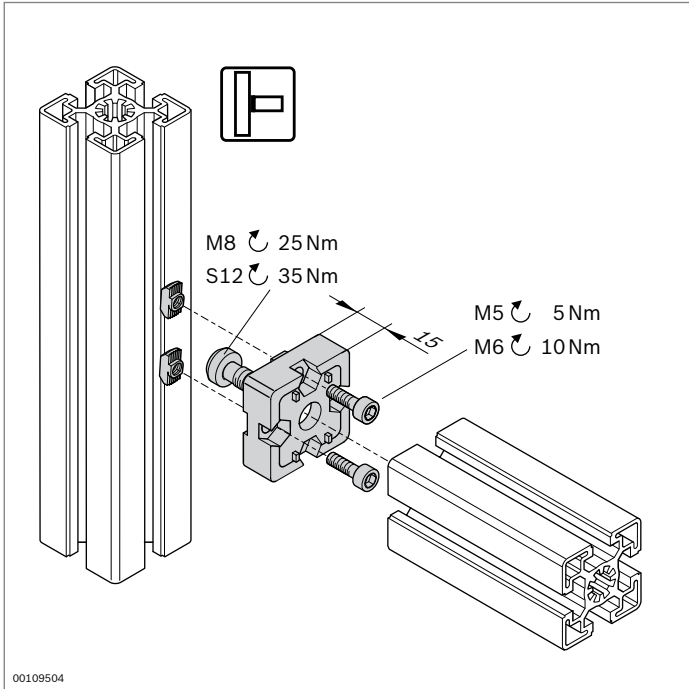
Type	
50x50	180 Nm



End connector	Slot	ESD No.	FS
50x50 Set (standard)	10		3 842 532 199 2xFS3, 4xFS4

Material: End connector: diecast zinc
Fastening material: steel; galvanized

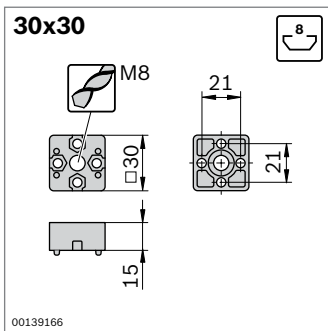
Scope of delivery: set incl. fastening material (FS)



T-connector



- ▶ For right-angled profile connections
- ▶ *designLINE* version with special silver paint (RAL 9006) for an attractive, high-quality design
- ▶ Profile finishing:
 - 30x30: M8 thread cutting in central bores
 - 40x40, 45x45, 50x50: not required

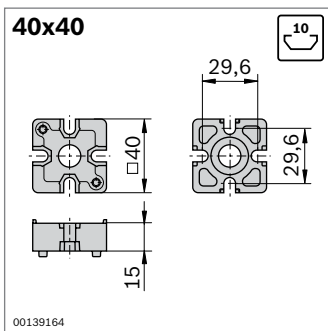


Type	F_{max}	M_{max}
30x30	4000 N	80 Nm

FS1	FS2
DIN7984 M8x30	DIN 7984 M5x16

T-connector	Slot	ESD	No.	FS
30x30 Set (standard)	8	⚡	3 842 524 476	1xFS1, 2xFS2
<i>designLINE</i> set	8	⚡	3 842 538 696	1xFS1, 2xFS2

Material: T-connector: Die-cast aluminum
designLINE T-connector: painted (RAL 9006)
 Fastening material: steel; galvanized
 Scope of delivery: set incl. fastening material (FS)

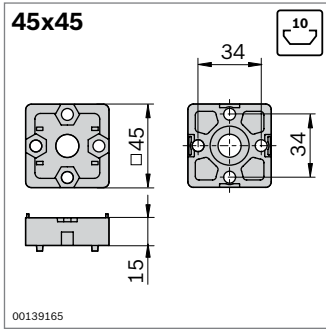


Type	F_{max}	M_{max}
40x40	9000 N	150 Nm

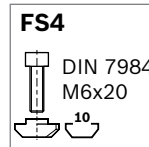
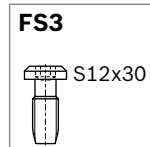
FS3	FS4
S12x30	DIN 7984 M6x20

T-connector	Slot	ESD	No.	FS
40x40 Set (standard)	10	⚡	3 842 532 195	1xFS3, 2xFS4
<i>designLINE</i> set	10	⚡	3 842 538 697	1xFS3, 2xFS4

Material: T-connector: Die-cast aluminum
designLINE T-connector: painted (RAL 9006)
 Fastening material: steel; galvanized
 Scope of delivery: set incl. fastening material (FS)

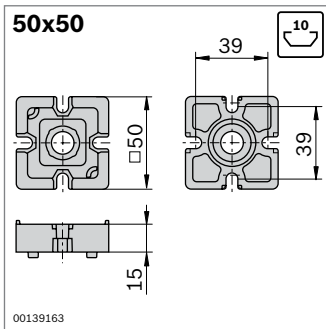


Type		
45x45	9000 N	200 Nm

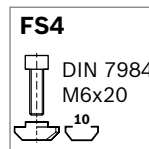
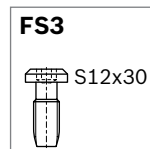


T-connector	Slot	ESD	No.	FS
45x45 Set (standard)	10		3 842 520 802	1xFS3, 2xFS4
<i>designLINE</i> set	10		3 842 538 698	1xFS3, 2xFS4

Material: T-connector: diecast zinc
designLINE T-connector: painted (RAL 9006)
 Fastening material: steel; galvanized
 Scope of delivery: set incl. fastening material (FS)

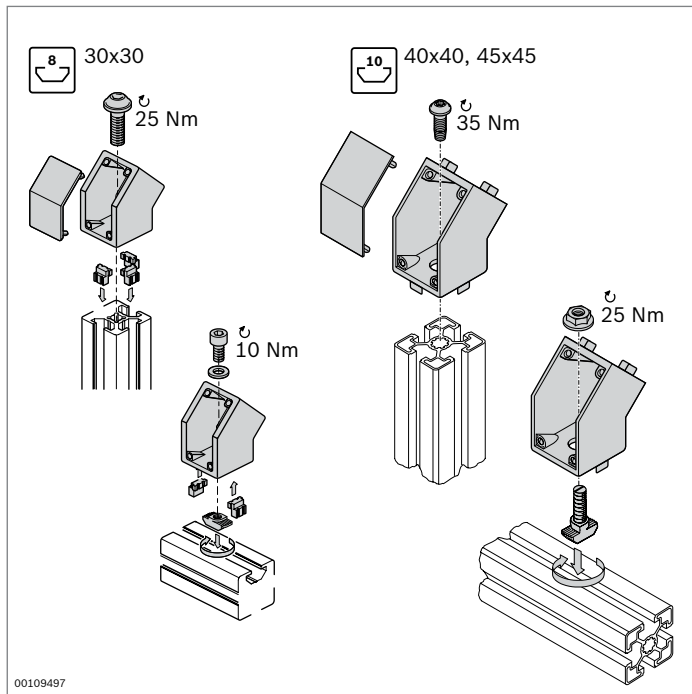


Type		
50x50	10 000 N	170 Nm

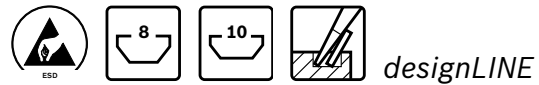


T-connector	Slot	ESD	No.	FS
50x50 Set (standard)	10		3 842 532 198	1xFS3, 2xFS4

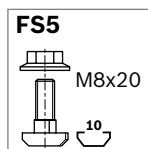
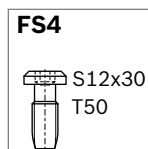
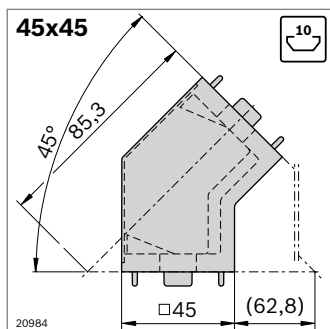
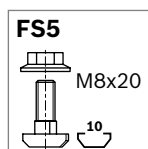
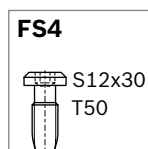
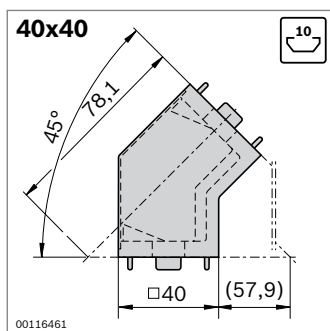
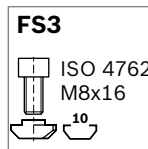
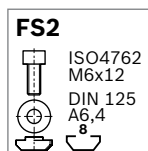
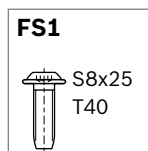
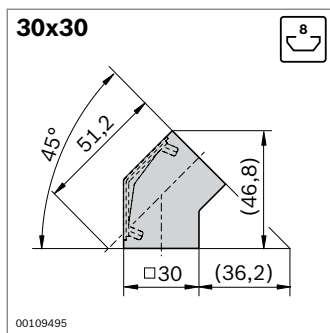
Material: T-connector: diecast zinc
 Fastening material: steel; galvanized
 Scope of delivery: set incl. fastening material (FS)



Connector 45°



- ▶ For connecting profiles at an angle of less than 45°
- ▶ Suitable for reinforcing frames
- ▶ Suitable for connections at the end-face or in the profile slot
- ▶ Connectors 45° 40x40 and 45x45 with centering lugs for easy positioning (centering lugs can simply be broken off for installation in the profile slot)
- ▶ *designLINE* version with special silver paint (RAL 9006) for an attractive, high-quality design
- ▶ Profile finishing: not required



45° connector	Slot	ESD	No.	FS
30x30 Set (standard)	8	⚡	3 842 518 426	2xFS1, FS2, FS3
<i>designLINE</i> set	8	⚡	3 842 538 700	2xFS1, FS2, FS3

Material Connector 45°: diecast zinc
designLINE 45° connector: painted (RAL 9006)
 Centering element, cap: PA; black
 Fastening material: steel; galvanized

Scope of delivery: Set incl. fastening material (FS), 6 x centering piece, cap

45° connector	Slot	ESD	No.	FS
40x40 Set (standard)	10	⚡	3 842 532 205	2xFS4, FS5
<i>designLINE</i> set	10	⚡	3 842 538 701	2xFS4, FS5

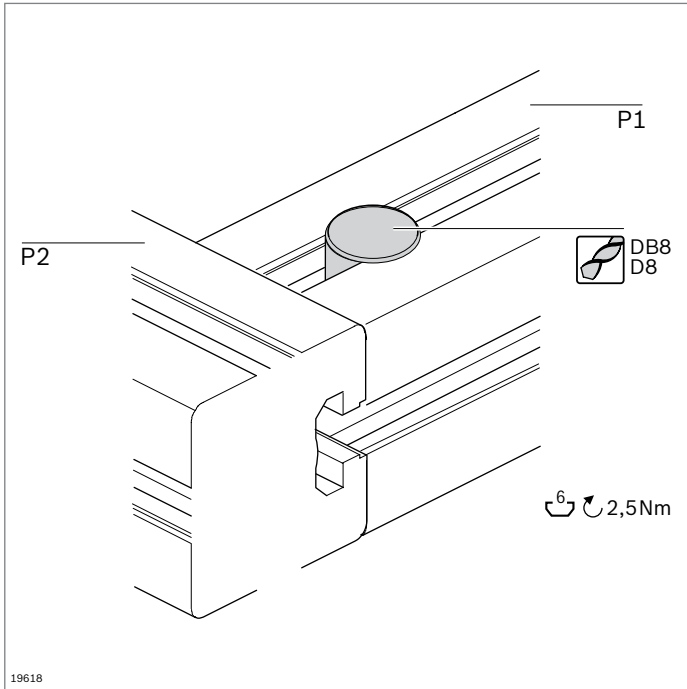
Material Connector 45°: cast aluminum
designLINE 45° connector: painted (RAL 9006)
 Cover cap: PA; black
 Fastening material: steel; galvanized

Scope of delivery: set incl. fastening material (FS), cap

45° connector	Slot	ESD	No.	FS
45x45 Set (standard)	10	⚡	3 842 535 428	2xFS4, FS5
<i>designLINE</i> set	10	⚡	3 842 538 702	2xFS4, FS5

Material Connector 45°: cast aluminum
designLINE 45° connector: painted (RAL 9006)
 Cover cap: PA; black
 Fastening material: steel; galvanized

Scope of delivery: set incl. fastening material (FS), cap

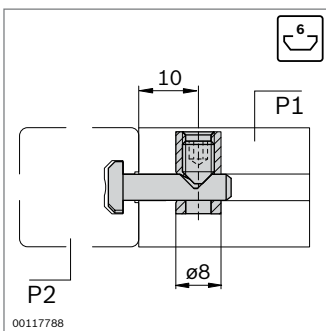
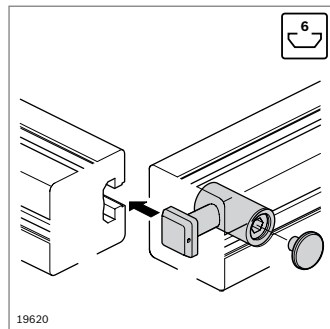
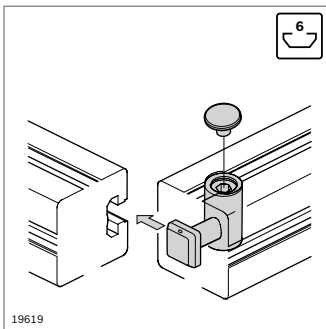


Quick connector, 6 mm slot, 0°, 90° cover cap



- ▶ For the right-angled connecting of two profiles
- ▶ Very good accessibility for tools during assembly
- ▶ Quick connector for 6 mm slot with square head; can be used as a 0° or 90° connector
- ▶ Profile finishing:
blind hole DB8 or through-hole D8

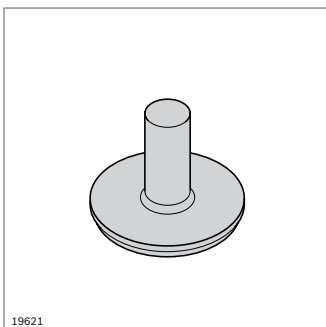
Optional accessories:
Drilling jig (p. 14-2)



Slot	F_{max}	M_{max}
6 / 6	450 N	18 Nm

Quick-clamp connector, P1 / P2	D (mm)	ESD	No.
6 / 6	8	10	3 842 537 013

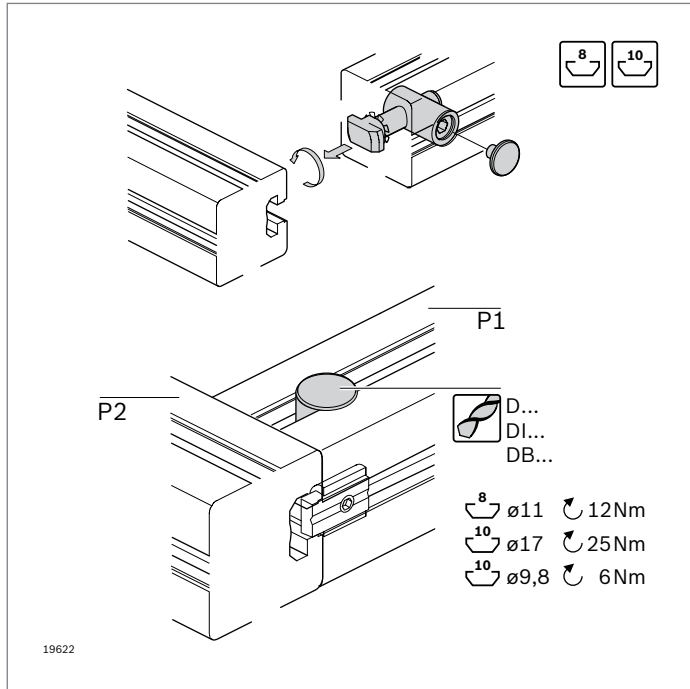
Material: steel, stainless



- ▶ Cover cap for covering the connector sleeve

Cover cap	D (mm)	No.
	8	100 3 842 538 562

Material: PE, light gray RAL 7035



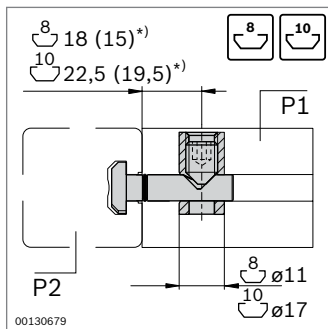
Quick connector, 8/10 mm slot, 0°



- ▶ For the right-angled connecting of two profiles
- ▶ Very good accessibility for tools during assembly
- ▶ O-ring for fastening allows overhead assembly
- ▶ Quick connectors can be swiveled into the profile slot at the point of assembly
- ▶ Profile finishing:
blind hole DI, DB11, DB17 or through hole DI, D11, D17
- ▶ Note differing drilling intervals and load-bearing capacities when using with radial compensation ("Technical data" p. 19-6)

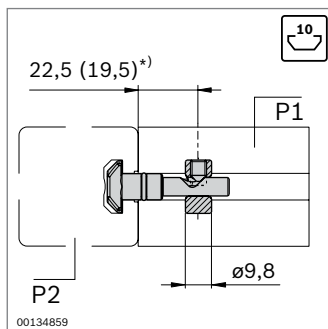
Optional accessories:

- ▶ Anti-torsion element (p. 3-41)
- ▶ Radial compensation (p. 2-85)
- ▶ Drilling jig (p. 14-2)
- ▶ Cover cap (p. 3-53)



Slot	F_{max}	M_{max}
8 / 8	500 N	40 Nm
8 / 10	2000 N	70 Nm
10 / 10	4000 N	140 Nm

*) With the use of radial compensation



Slot	F_{max}	M_{max}
10 / 10	800 N	50 Nm

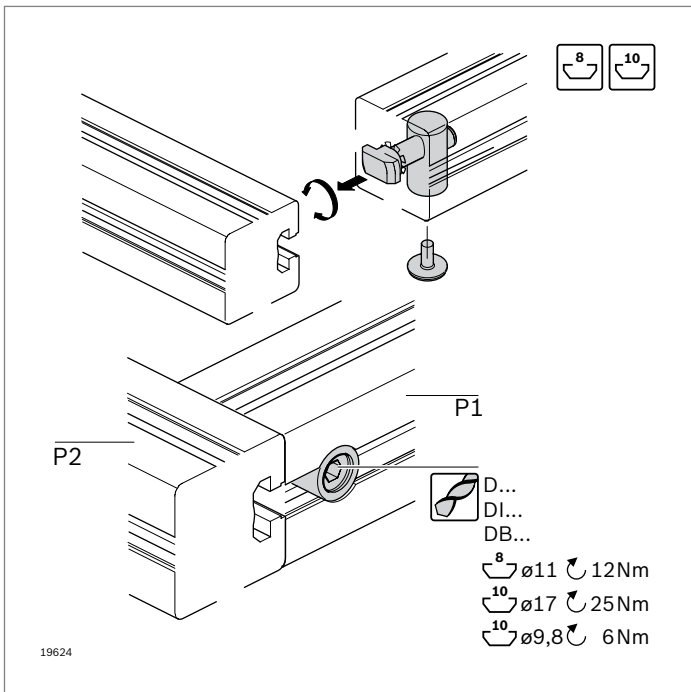
*) With the use of radial compensation

Quick connector, 0°	P1 / P2	D ESD	No.
	(mm)		
steel; galvanized	8 / 8	11	3 842 535 459
	8 / 10	11	3 842 535 464
	10 / 10	17	3 842 535 458
steel, stainless	8 / 8	11	3 842 548 934
	8 / 10	11	3 842 548 935
	10 / 10	17	3 842 548 936

- ▶ Quick connector 9.8 with smaller connector sleeve
- ▶ The hole for the connector sleeve does not make contact with the slot flanks. This allows a visually attractive connection; the slot can be completely closed with the cover profile

Quick connector 0°, connector sleeve D = 9.8	P1 / P2	D ESD	No.
	(mm)		
steel; galvanized	10 / 10	9.8 ¹⁾	3 842 541 412

¹⁾ No standard hole in modular dimensions 40, 50 and 60
Target distance from profile end: 22.5mm



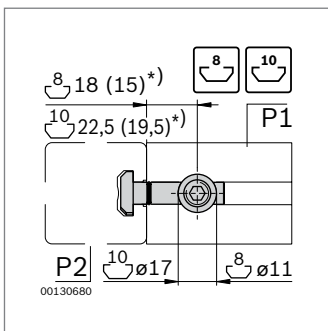
Quick connector, 8/10 mm slot, 90° Cover cap



- ▶ Tie rod head rotated at a 90° angle to the connector sleeve
- ▶ Profile finishing:
blind hole DI, DB11, DB17 or through hole DI, D11, D17

Optional accessories:

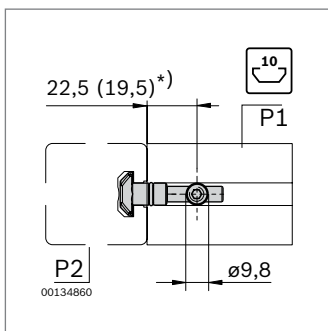
- ▶ Anti-torsion element (p. 3-41)
- ▶ Radial compensation (p. 2-85)
- ▶ Drilling jig (p. 14-2)
- ▶ Cover cap



Slot	F_{max}	M_{max}
8 / 8	500 N	40 Nm
10 / 10	4000 N	140 Nm

*) With the use of radial compensation

Quick connector, 90°	P1 / P2	D	ESD	No.
		(mm)		
steel; galvanized	8 / 8	11		10 3 842 535 465
	10 / 10	17		10 3 842 535 466
steel, stainless	8 / 8	11		10 3 842 548 937
	10 / 10	17		10 3 842 548 938

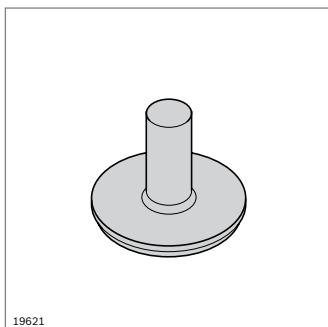


Slot	F_{max}	M_{max}
10 / 10	800 N	50 Nm

*) With the use of radial compensation

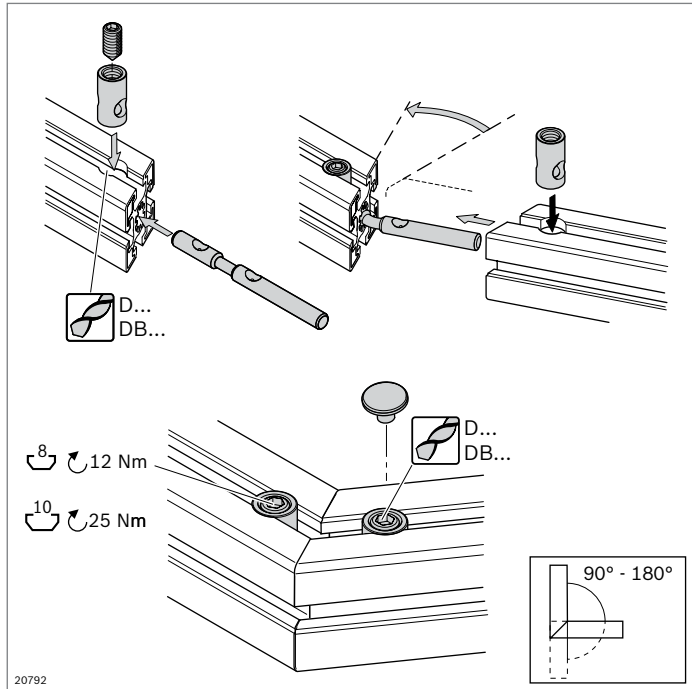
Quick connector 90°, connector sleeve D = 9.8	P1 / P2	D	ESD	No.
		(mm)		
steel; galvanized	10 / 10	9.8 ¹⁾		10 3 842 541 410

¹⁾ No standard hole in modular dimensions 40, 50 and 60, target distance from profile end: 22.5mm

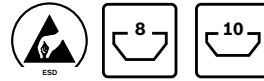


Cover cap	D (mm)	No.
	11	100 3 842 538 563
	17	100 3 842 538 564

Material: PE, light gray RAL 7035



Quick connector, bendable – end-to-end

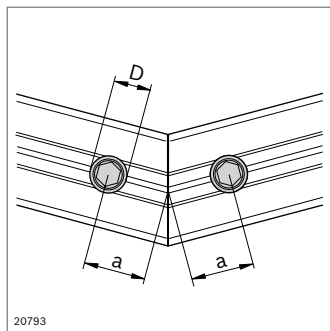


- ▶ For end-to-end connecting of two profiles with equal cross-sections and at any angle, e.g. for frames
- ▶ Profile finishing:
 - blind hole DB11, DB17 or through-hole D11, D17
 - miter cut

Technical data (p. 19-6)

Accessories:

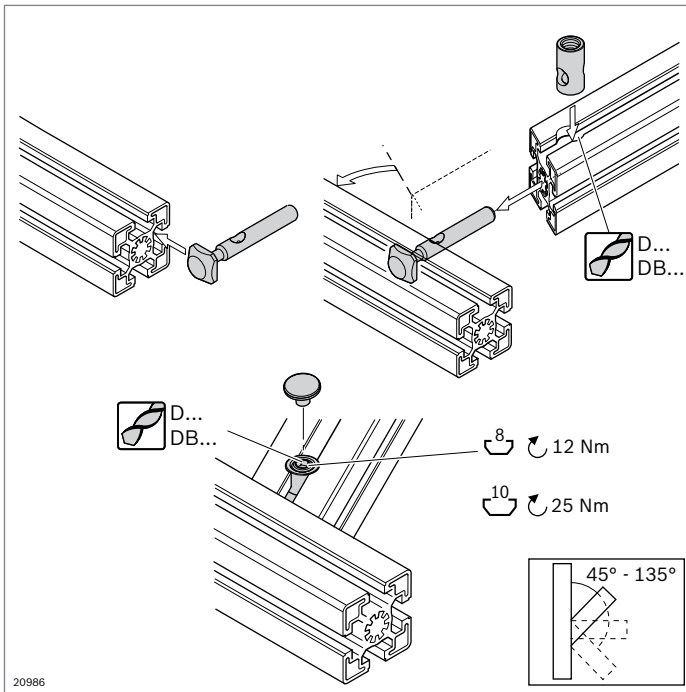
- ▶ Drilling jig (p. 14-2)
- ▶ Cover cap (p. 3-53)



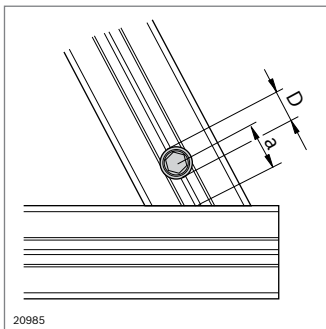
	M_{max} ↓
30x30	24 Nm
40x40L	100 Nm
45x45L	110 Nm
45x45	145 Nm
50x50L	160 Nm

Quick connector, bendable	P1 / P2	a (mm)	D (mm)	ESD		No.
End-to-end	8 / 8	18	11		10	3 842 535 630
	10 / 10	22.5	17		10	3 842 535 634

Material: Tie rod: steel, stainless
Socket: steel; galvanized



20986



20985

Quick connector, bendable – end-to-slot



- ▶ For end-to-slot connecting of two profiles at any angle, e.g. for framework constructions
- ▶ Profile finishing:
 - blind hole DB11, DB17 or through-hole D11, D17
 - miter cut

Technical data (p. 19-6)

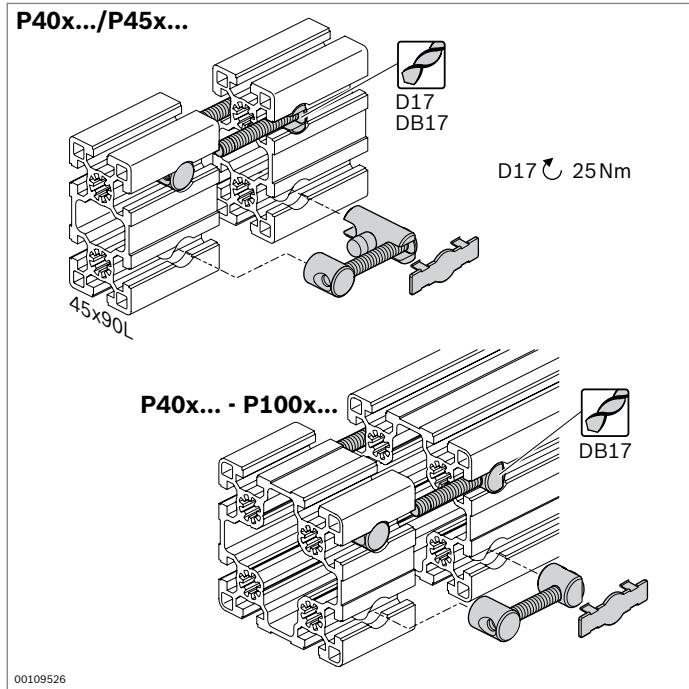
Accessories:

- ▶ Drilling jig (p. 14-2)
- ▶ Cover cap (p. 3-53)

Quick connector, bendable	P1 / P2	a (mm)	D (mm)	ESD	No.
End-to-slot	8 / 8	18	11		10 3 842 535 629
	10 / 10	22.5	17		10 3 842 535 635

Material: Tie rod: steel, stainless
Socket: steel; galvanized

30x30	1100 N	35 Nm	650 N	40 Nm
40x40L	1500 N	110 Nm	1000 N	80 Nm
45x45L	1500 N	120 Nm	1000 N	95 Nm
45x45	1500 N	140 Nm	1100 N	180 Nm
50x50L	1500 N	150 Nm	1100 N	180 Nm



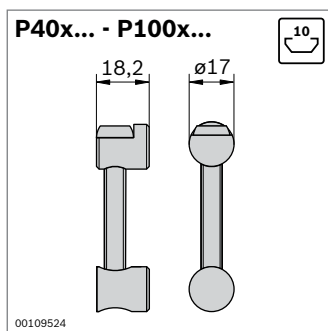
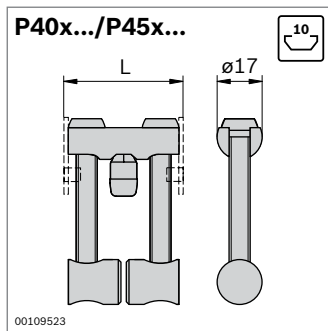
Longitudinal end connector



- ▶ For the end-to-end connecting of two profiles
- ▶ Standard profile finishing:
 - through-hole D17 (longitudinal end connector on both sides)
 - blind hole DB17 or through-hole D17 (longitudinal end connector on one side)

Optional accessories:

Cover cap D17 x 44,6; ESD (p. 3-59)



Longitudinal end connector, two-sided	L (mm)	ESD	No.
Profile 40x...	40	⚡*	3 842 554 442
Profile 45x...	45	⚡*	3 842 554 440

Material: Longitudinal end connector: screw steel, galvanized

Centering pin, caps: PP, signal gray

Scope of delivery: incl. 4 x cover cap

* Longitudinal end connector establishes conductive connection. Cover caps included in the set are not ESD-compatible.

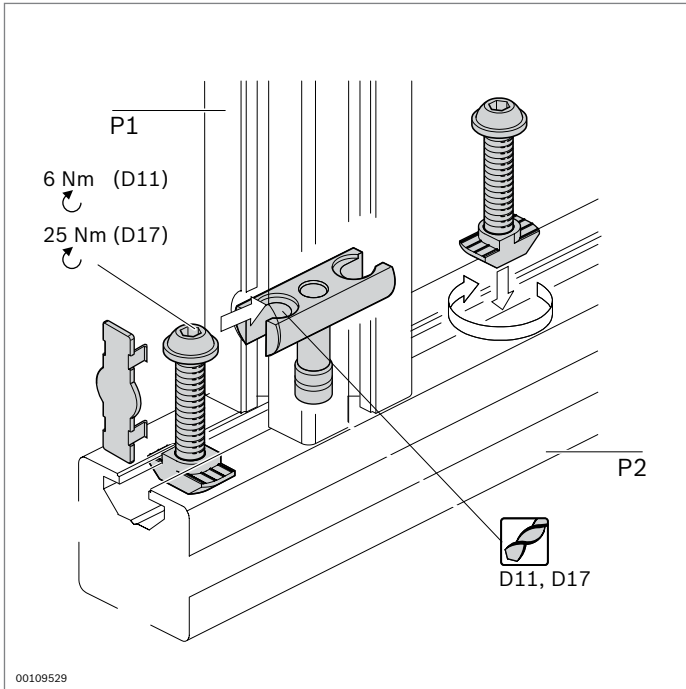
Longitudinal end connector, one-sided	ESD	No.
Profile 40x... - 100x...	⚡*	3 842 554 444

Material: Longitudinal end connector: screw steel, galvanized

Centering pin, caps: PP, signal gray

Scope of delivery: incl. 2 x cover cap

* Longitudinal end connector establishes conductive connection. Cover caps included in the set are not ESD-compatible.



Bolt connector



- ▶ For the right-angled connecting of two profiles
- ▶ Suitable for heavy loads, including torsional loads
- ▶ Can be mounted in closed frames
- ▶ Profile finishing: through-hole D11, D17

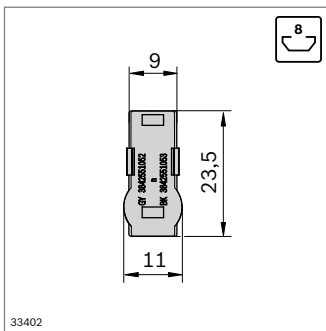
Technical data (p. 19-7)

Accessories:

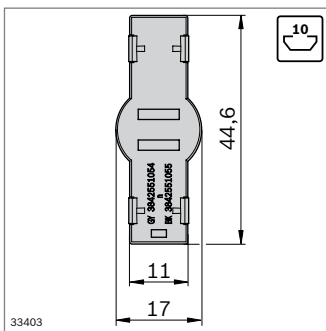
Drilling jig (p. 14-2)

Optional accessories:

Cover cap, ESD



33402



33403

Cover cap	Color	ESD	No.
D11 x 23.5	Signal gray	100	3 842 551 052
D11 x 23.5	Black	100	3 842 551 053

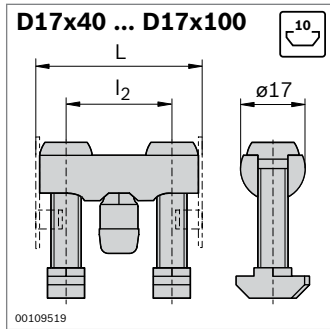
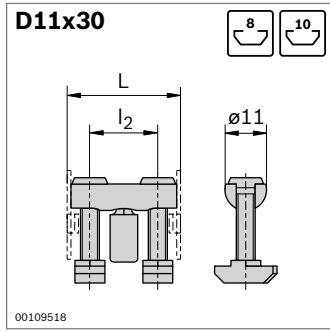
Material:

PP

Cover cap	Color	ESD	No.
D17 x 44.6	Signal gray	100	3 842 551 054
D17 x 44.6	Black	100	3 842 551 055

Material:

PP



Bolt connector	P1 / P2	L (mm)	l ₂ (mm)	ESD	No.
D11x30	8 / 8	30	18	⚡*	10 3 842 554 402
	8 / 10	30	18	⚡*	10 3 842 555 590

Material: Bolt connector: steel; galvanized
Centering pin, caps: PP, signal gray
* Bolt connector creates conductive connection, but the cover caps included in the set are not ESD-compatible.

Scope of delivery: incl. 2 x cover caps

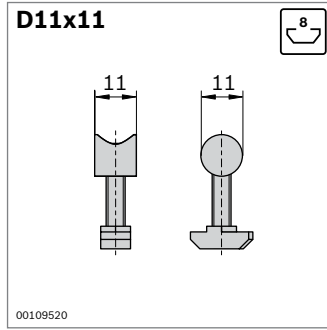
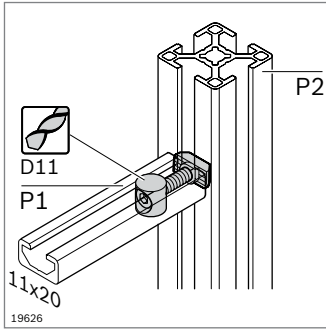
Bolt connector	P1 / P2	L (mm)	l ₂ (mm)	ESD	No.
D17x40	10 / 10	40	23	⚡*	10 3 842 555 594
D17x45	10 / 10	45	28	⚡*	10 3 842 555 584
D17x50	10 / 10	50	33	⚡*	10 3 842 555 596
D17x60	10 / 10	60	43	⚡*	10 3 842 555 586
D17x80	10 / 10	80	63	⚡*	10 3 842 555 598
D17x90	10 / 10	90	73	⚡*	10 3 842 555 588
D17x100	10 / 10	100	83	⚡*	10 3 842 555 592

Material: Bolt connector: steel; galvanized
Centering pin, caps: PP, signal gray
* Bolt connector creates conductive connection, but the cover caps included in the set are not ESD-compatible.

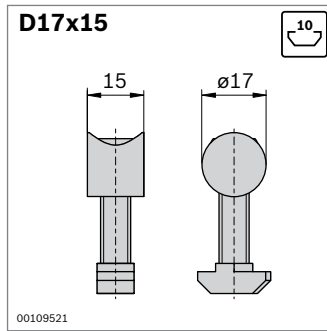
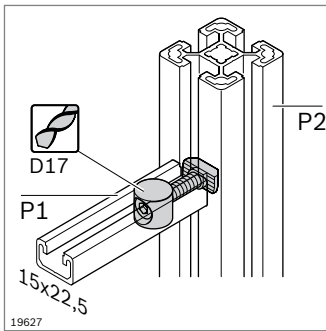
Scope of delivery: incl. 2 x cover caps

Size			
30	2500 N	60 Nm	20 Nm
40	4000 N	180 Nm	40 Nm
45	4000 N	180 Nm	60 Nm
50	4000 N	200 Nm	65 Nm

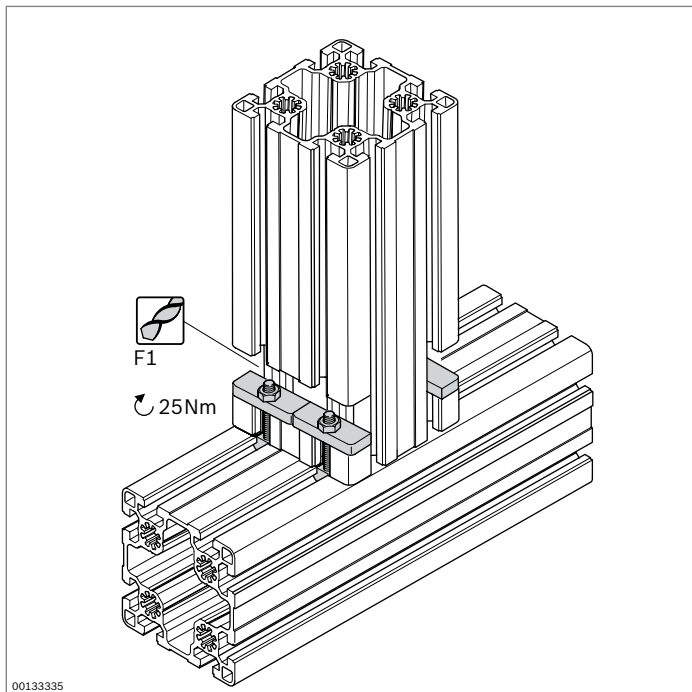
Size			
60	4000 N	200 Nm	80 Nm
80	5000 N	800 Nm	170 Nm
90	5000 N	800 Nm	200 Nm
100	5000 N	1000 Nm	480 Nm



Bolt connector	P1 / P2 ESD	No.
D11x11	8 / 8	10 3 842 535 617
Material:	steel; galvanized	



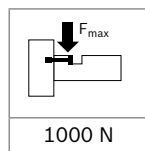
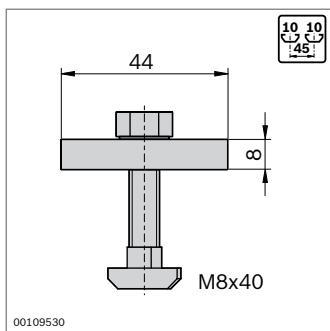
Bolt connector	P1 / P2 ESD	No.
D17x15	10 / 10	10 3 842 535 619
Material:	steel; galvanized	



QV mounting kit



- ▶ For the right-angled connecting of two profiles
- ▶ Very good accessibility for tools during assembly
- ▶ Profile finishing: Standard milling F1
- ▶ Bending moments must be avoided



QV mounting kit	No.
Material: steel; galvanized	10 3 842 146 972

